

Spindle ball bearing S 6206 E TXM P4+

16.07.2024



Components

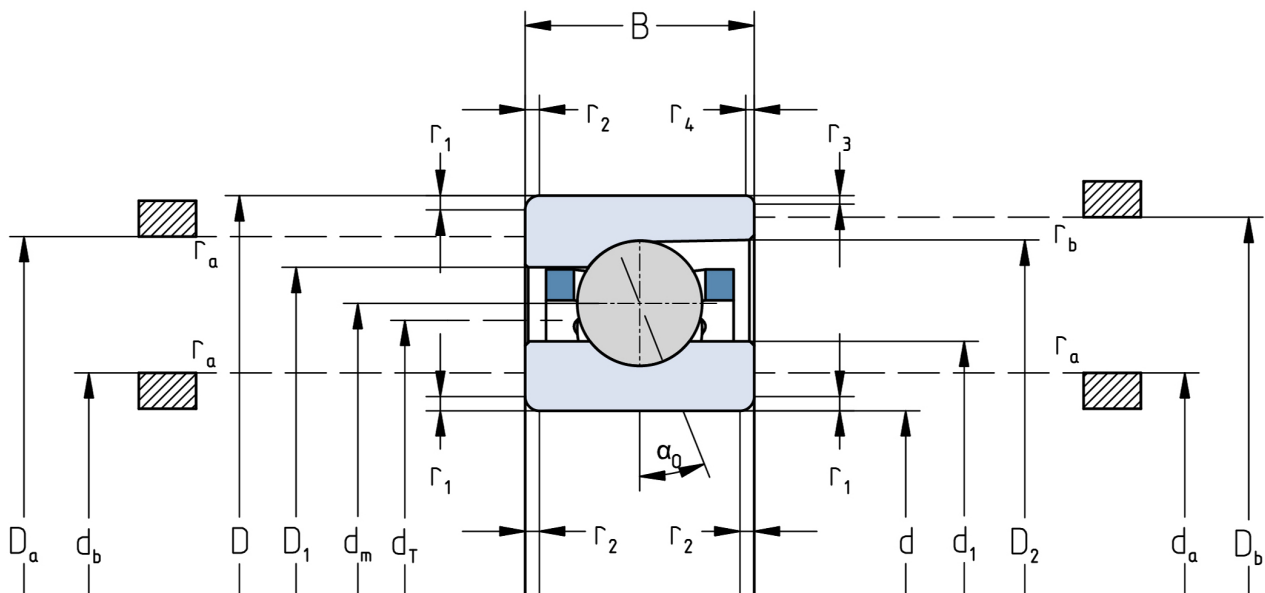
| | |
|------------------------------|------------------------|
| Bearing designation: | S 6206 E TXM |
| Bearing design: | S |
| Series / size: | 6206 |
| Ball material: | Steel 100Cr6 |
| Cage: | TXM |
| Precision: | P4+ (UP+ Upon request) |
| Main dimensions [d x D x B]: | 30 x 62 x 16 mm |

Load data

| | |
|-----------------------|-----------------------------|
| Static load capacity | C_{0r} : 16200 N |
| Dynamic load capacity | C_r : 24000 N |
| Fatigue load limit | C_U : 842 N |
| Speed limit | n_{grease} : 24000 1/min |
| Speed limit | n_{oil} : 32000 1/min |
| Light preload | L: 200 N |
| Axial rigidity | C_{ax} : 116 N/ μ m |
| Medium preload | M: 600 N |
| Axial rigidity | C_{ax} : 177 N/ μ m |
| Heavy preload | S: 1200 N |
| Axial rigidity | C_{ax} : 237 N/ μ m |
| Spring preload | Ff: 1600 N (for n_{max}) |

Geometrical Data

| | | | |
|--|------------------------|--|-------------------------|
| Bore diameter | d: 30 mm | Oiling nozzle position | d_T : 43.6 mm |
| Outer diameter | D: 62 mm | Pitch circle diameter | d_m : 46 mm |
| Width of single bearing | B: 16 mm | Inner diameter of outer ring | D_1 : 52.1 mm |
| Ball diameter | D_w : 9.525 mm | Undercut of associated component | $r_{a max}$: 1 mm |
| Number of balls | Z: 13 | Undercut of associated component (open side) | $r_{b max}$: 0.6 mm |
| Chamfer (min) | $r_{1,2 min}$: 1 mm | Abutment diameter inner ring | $d_{a,b min}$: 35.8 mm |
| Chamfer (min), open side | $r_{3,4 min}$: 0.6 mm | Abutment diameter outer ring | $D_{a,b max}$: 57.6 mm |
| Outer diameter of inner ring | d_1 : 40.4 mm | Inner diameter of outer ring (open side) | D_2 : 55.7 mm |
| Outer diameter of inner ring (open side) | d_2 : - | Bearing weight | m: 0.195 kg |
| | | Contact angle | Alpha 0: 25° |



The given speed limits apply to individual bearings with spring preload. Correction factors must be considered for all properties which deviate from this.