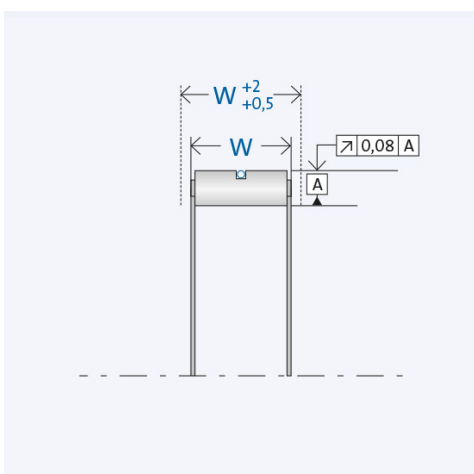
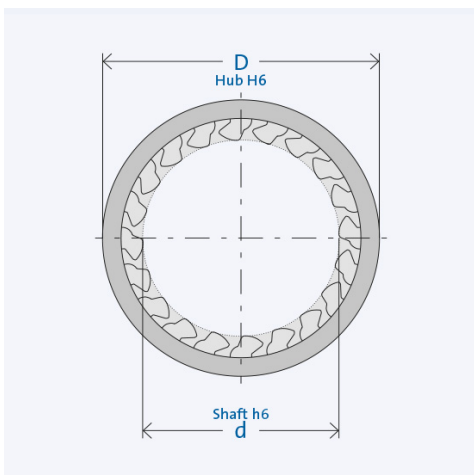
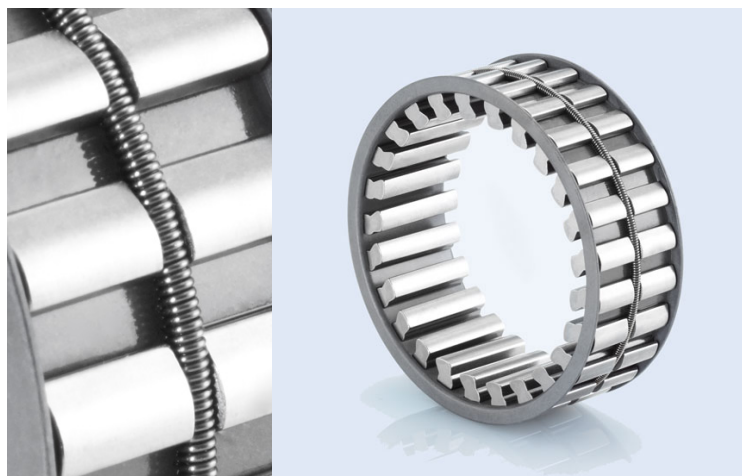


Insert Element FE 8150 Z 25



Item number 300567

Components

| | |
|-------------------------|----------------------------------|
| Freewheel clutch | Insert Element FE 8000 Z |
| · Spring | Tension spring (Z) |
| · Cage | Stamped/ drawn steel |
| · Sprags | Hardened bearing steel |
| | Start gap height $h_0 = 8,33$ mm |

Key values

| | |
|------------------------|------------|
| Ø Shaft d: | 150 mm |
| Ø Hub D: | 166.66 mm |
| Installed width W: | 25 mm |
| Torque T_{nom} : | 8272 Nm |
| Speed n_{max} : | 0 rpm |
| Number of sprags: | 60 |
| Weight: | 0.4 kg |
| Operating temperature: | max. 170°C |

Lubrication

Oil or grease lubrication

Delivered with corrosion protection.
Operative grease filling on request.

Installation

Installation tolerances

Shaft h6; hub H6

Inner ring/shaft

Steel, HRC 60⁺⁴ (HV 700⁺¹⁰⁰); Eht ≥ 1,3 mm; Rz ≤ 2,5 μm

Outer ring/housing

Steel, HRC 60⁺⁴ (HV 700⁺¹⁰⁰); Eht ≥ 1,3 mm; Rz ≤ 2,5 μm

Constraints

The freewheel clutch insert element requires axial constraints on both sides.

Mating parts

Hardening and grinding of the mating parts is necessary. Chamfered shafts and hubs ease installation.

Bearing

Freewheel clutch insert elements are not self-centering. External bearing support to define the gap between mating parts (Shaft and housing) is necessary.