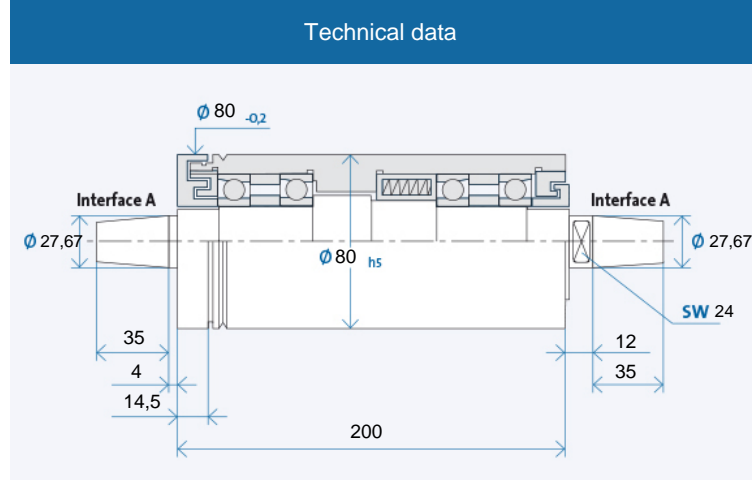
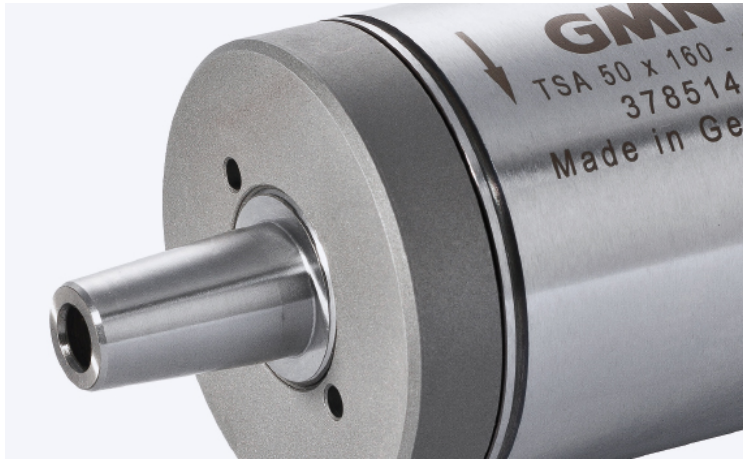


TSA 80 x 200

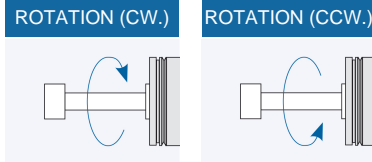


Maximum speed n_{max} [min⁻¹]* for bearing types:

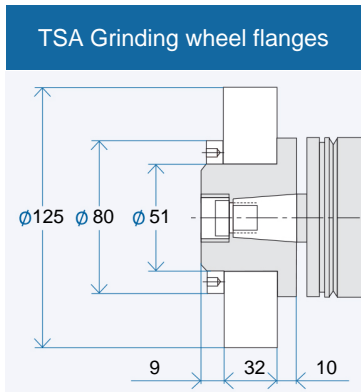
Steel (steel)	20000
Hybrid (optional)	25000

* without tool

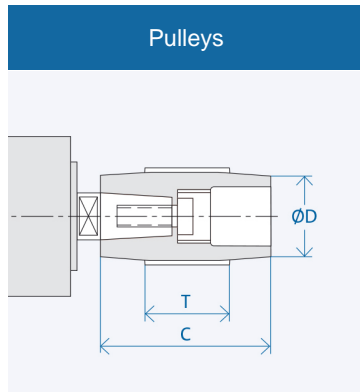
Ordering information: TSA 80 x 200 R is for clockwise, L for counter-clockwise



Accessories

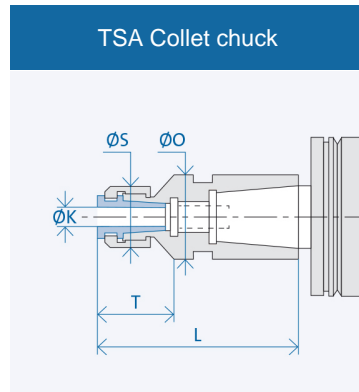


Ordering information flange: AX₁/X₂/X₃
 X₁: Interface: 07/08/...
 X₂: Flange style: MO/MS
 X₃: Wheel:
 K = Corundum grinding wheel
 D = Diamond or CBN grinding wheel
 Puller for flange: AX₁/X₂
 Balancing quill for flange: AX₁



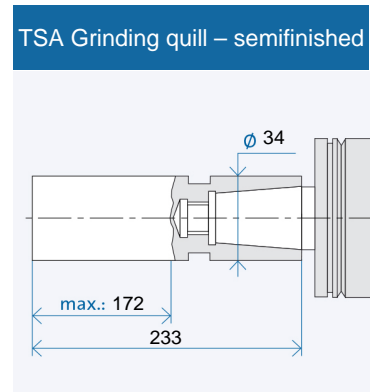
Interface	Dimensions [mm]		
	D	C	T
A 27	40	70	50
	45	70	50
	50	70	50
	56	70	50
	125	70	50

Ordering information pulley: AX₁-X₂
 X₁: Interface: 07/08/...
 X₂: Figure from column D
 Puller for pulley: AX₁/...



Interface	Dimensions [mm]				
	K	T	L	S	O
A 27	6	27	87	35	34
	8	27	87	35	34
	10	27	87	35	34
	12	27	87	35	34

Ordering information collet chuck: AX₁/X₂-(K)
 X₁: Interface: 07/08/...
 X₂: Housing diameter: 20/26/...
 (K) = Inner diameter collet chuck



Ordering information semifinished: AX₁
 X₁: Interface 10/13/...