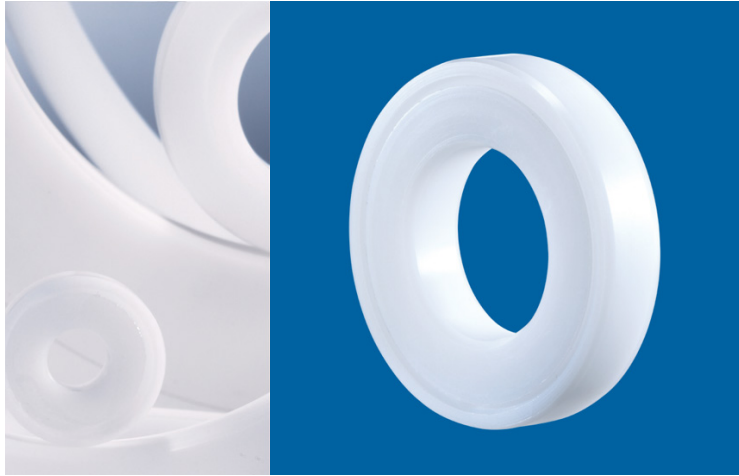


# Labyrinth plastic seal Type S



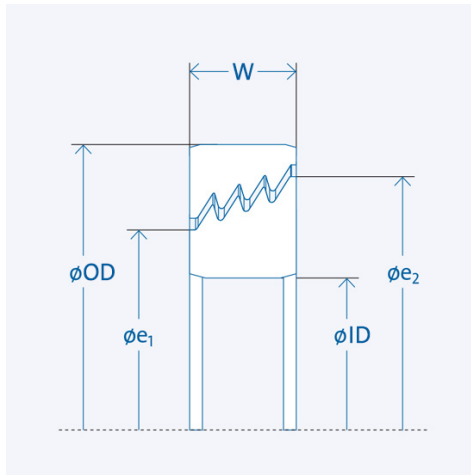
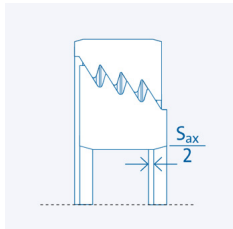
**S 80 X 140 X 15**

**Item number 301671**

## Technical data

Material:	High-quality polyoxymethylene (POM)
Inner diameter ID:	80 mm
Outer diameter OD:	140 mm
Installed width W:	15 mm
Sealing gap:	Conical
Axial play $S_{ax}^*$ :	0.8 mm
Gap diameter $e_1$ :	116 mm
Gap diameter $e_2$ :	132 mm
Speed limit:	9620 rpm
Weight:	0.1822 kg
Operating temperature t:	-40° - 60°C

\*Entire movability from one end position to the other



## Installation

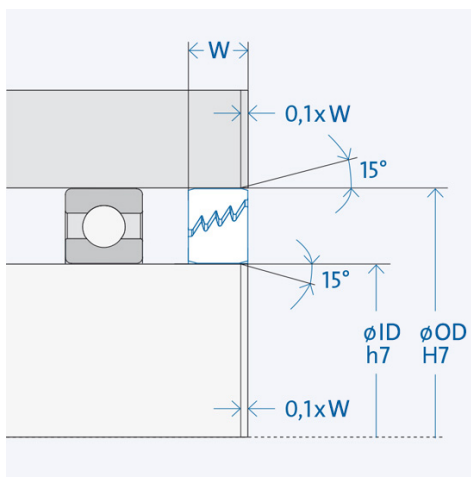
"l" Length (chamfering of shaft and housing) depending on the width W:  $l = 0,1 \times W$

## Component tolerances

Surrounding structure (mating parts)

Housing: H7 / Shaft: h7

Surface quality:  $R_z \leq 16 \mu\text{m}$ ;  $R_a \leq 3,2 \mu\text{m}$



The larger gap diameter  $e_2$  must always face the impact.