

Spindle ball bearing S 6017 C TA P4+

16.07.2024



Components

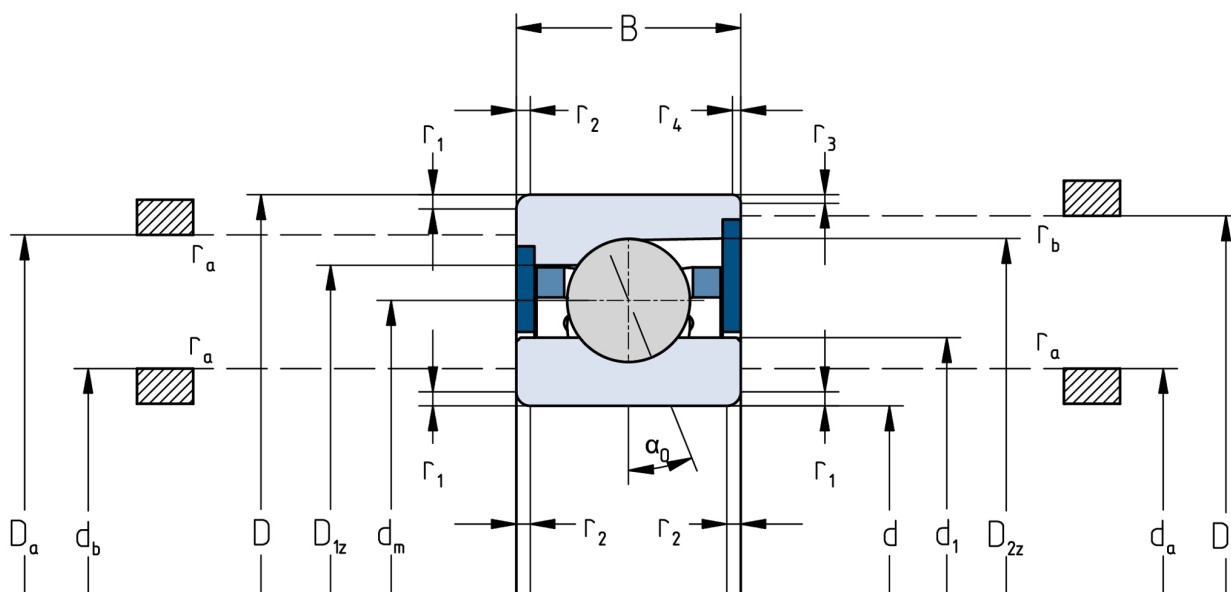
Bearing designation:	S 6017 C TA
Bearing design:	S
Series / size:	6017
Ball material:	Steel 100Cr6
Cage:	TA
Seal:	2RZ upon request
Precision:	P4+
Main dimensions [d x D x B]:	85 x 130 x 22 mm

Load data

Static load capacity	C_{0r} : 62500 N
Dynamic load capacity	C_r : 61500 N
Fatigue load limit	C_U : 3116 N
Speed limit	n_{grease} : 12000 1/min
Speed limit	n_{oil} : 16000 1/min
Light preload	L: 310 N
Axial rigidity	C_{ax} : 100 N/ μ m
Medium preload	M: 940 N
Axial rigidity	C_{ax} : 164 N/ μ m
Heavy preload	S: 1880 N
Axial rigidity	C_{ax} : 232 N/ μ m
Spring preload	Ff: 3390 N (for n_{max})

Geometrical Data

Bore diameter	d: 85 mm	Oiling nozzle position	d_7 : 103.6 mm
Outer diameter	D: 130 mm	Pitch circle diameter	d_m : 107.5 mm
Width of single bearing	B: 22 mm	Inner diameter of outer ring	D_1 : 115.7 mm
Ball diameter	D_w : 13.494 mm	Undercut of associated component	$r_{a \max}$: 1 mm
Number of balls	Z: 21	Undercut of associated component (open side)	$r_{b \max}$: 0.6 mm
Chamfer (min)	$r_{1,2 \min}$: 1.1 mm	Abutment diameter inner ring	$d_{a,b \min}$: 92.6 mm
Chamfer (min), open side	$r_{3,4 \min}$: 0.6 mm	Abutment diameter outer ring	$D_{a,b \max}$: 123.6 mm
Outer diameter of inner ring	d_1 : 99.3 mm	Inner diameter of outer ring (open side)	D_2 : 121.2 mm
Outer diameter of inner ring (open side)	d_2 : -	Bearing weight	m: 0.89 kg
		Contact angle	Alpha 0: 15°



The given speed limits apply to individual bearings with spring preload. Correction factors must be considered for all properties which deviate from this.