

Spindle ball bearing S 6212 E TA P4+

16.07.2024



Components

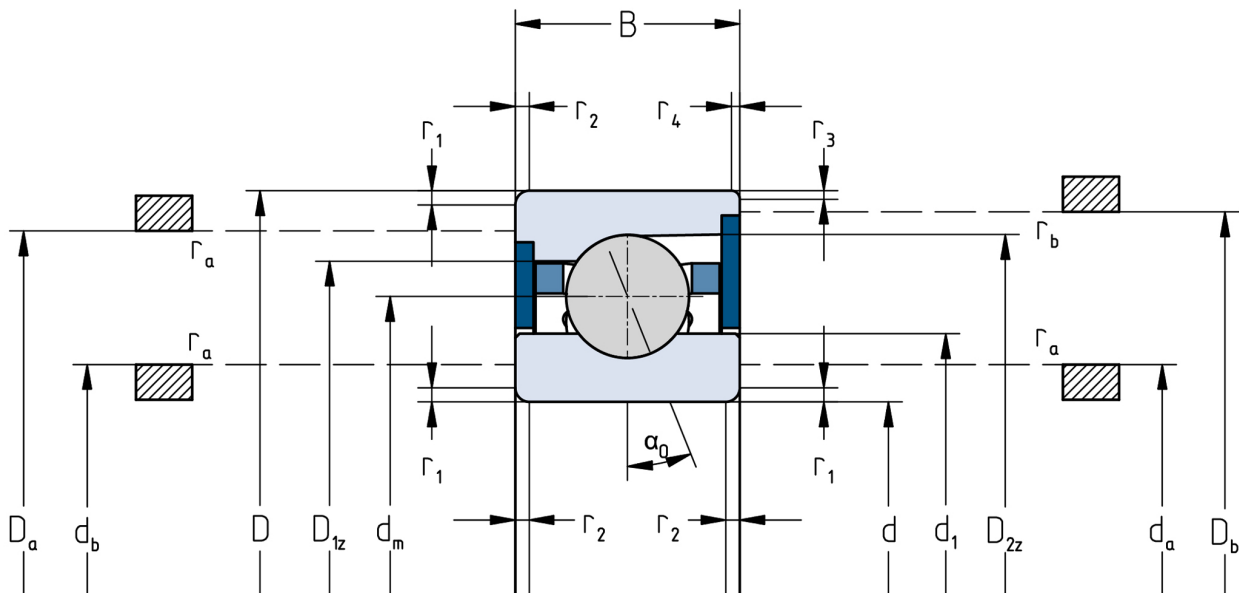
Bearing designation:	S 6212 E TA
Bearing design:	S
Series / size:	6212
Ball material:	Steel 100Cr6
Cage:	TA
Seal:	2RZ upon request
Precision:	P4+ (UP+ Upon request)
Main dimensions [d x D x B]:	60 x 110 x 22 mm

Load data

Static load capacity	C_{0r} : 54500 N
Dynamic load capacity	C_r : 66500 N
Fatigue load limit	C_U : 2830 N
Speed limit	n_{grease} : 12750 1/min
Speed limit	n_{oil} : 17000 1/min
Light preload	L: 560 N
Axial rigidity	C_{ax} : 215 N/ μ m
Medium preload	M: 1700 N
Axial rigidity	C_{ax} : 329 N/ μ m
Heavy preload	S: 3400 N
Axial rigidity	C_{ax} : 439 N/ μ m
Spring preload	Ff: 5360 N (for n_{max})

Geometrical Data

Bore diameter	d: 60 mm	Oiling nozzle position	d_f : 81.5 mm
Outer diameter	D: 110 mm	Pitch circle diameter	d_m : 85.7 mm
Width of single bearing	B: 22 mm	Inner diameter of outer ring	D_1 : 95.5 mm
Ball diameter	D_w : 15.875 mm	Undercut of associated component	$r_{a max}$: 1.5 mm
Number of balls	Z: 15	Undercut of associated component (open side)	$r_{b max}$: 1 mm
Chamfer (min)	$r_{1,2 min}$: 1.5 mm	Abutment diameter inner ring	$d_{a,b min}$: 69.4 mm
Chamfer (min), open side	$r_{3,4 min}$: 1 mm	Abutment diameter outer ring	$D_{a,b max}$: 102.6 mm
Outer diameter of inner ring	d_1 : 76 mm	Inner diameter of outer ring (open side)	D_2 : 101.7 mm
Outer diameter of inner ring (open side)	d_2 : -	Bearing weight	m: 0.8 kg
		Contact angle	Alpha 0: 25°



The given speed limits apply to individual bearings with spring preload. Correction factors must be considered for all properties which deviate from this.