

Spindle ball bearing HY KH 6011 E TA P4+

16.07.2024



Components

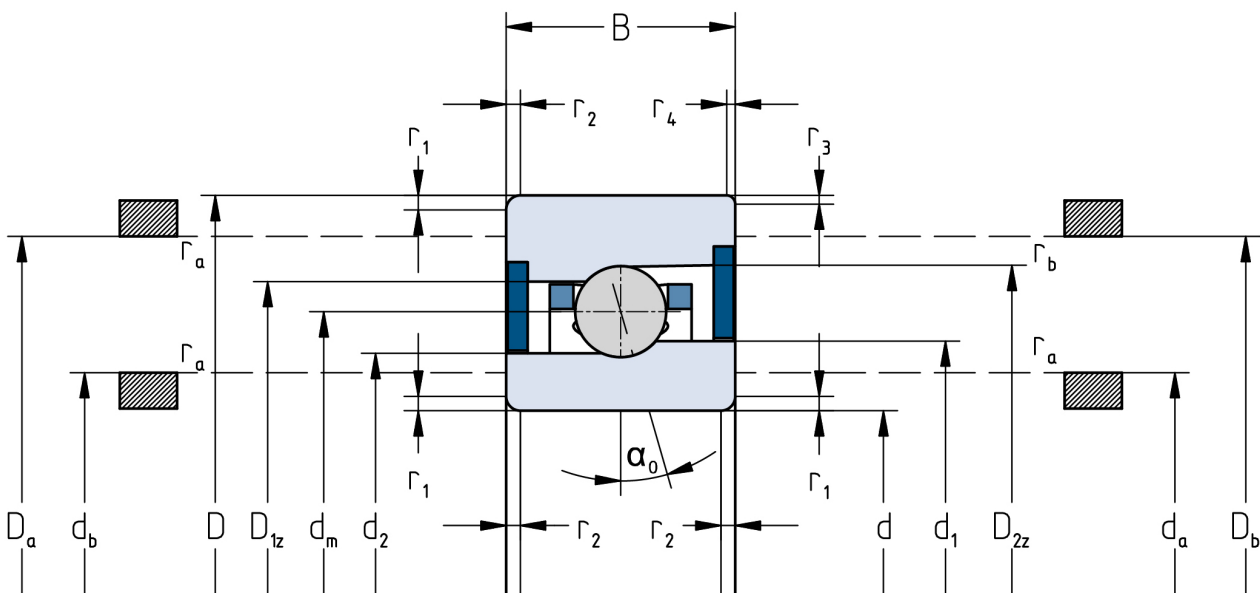
Bearing designation:	HY KH 6011 E TA
Bearing design:	KH
Series / size:	6011
Ball material:	Ceramic
Cage:	TA
Seal:	2RZ optional (with grease)
Precision:	P4+
Main dimensions [d x D x B]:	55 x 90 x 18 mm

Load data

Static load capacity	C_{0r} : 10500 N
Dynamic load capacity	C_r : 15900 N
Fatigue load limit	C_U : 396 N
Speed limit	n_{grease} : 24750 1/min
Speed limit	n_{oil} : 33000 1/min
Light preload	L: 130 N
Axial rigidity	C_{ax} : 128 N/ μ m
Medium preload	M: 400 N
Axial rigidity	C_{ax} : 190 N/ μ m
Heavy preload	S: 800 N
Axial rigidity	C_{ax} : 246 N/ μ m
Spring preload	Ff: 750 N (for n_{max})

Geometrical Data

Bore diameter	d: 55 mm	Oiling nozzle position	d_7 : 69.3 mm
Outer diameter	D: 90 mm	Pitch circle diameter	d_m : 71.5 mm
Width of single bearing	B: 18 mm	Inner diameter of outer ring	D_1 : 76.5 mm
Ball diameter	D_w : 7.938 mm	Undercut of associated component	$r_{a max}$: 1 mm
Number of balls	Z: 23	Undercut of associated component (open side)	$r_{b max}$: 1 mm
Chamfer (min)	$r_{1,2 min}$: 1.1 mm	Abutment diameter inner ring	$d_{a,b min}$: 60.8 mm
Chamfer (min), open side	$r_{3,4 min}$: 1 mm	Abutment diameter outer ring	$D_{a,b max}$: 85 mm
Outer diameter of inner ring	d_1 : 66.8 mm	Inner diameter of outer ring (open side)	D_2 : 79.6 mm
Outer diameter of inner ring (open side)	d_2 : 65.6 mm	Bearing weight	m: 0.37 kg
		Contact angle	Alpha 0: 25°



The given speed limits apply to individual bearings with spring preload. Correction factors must be considered for all properties which deviate from this.