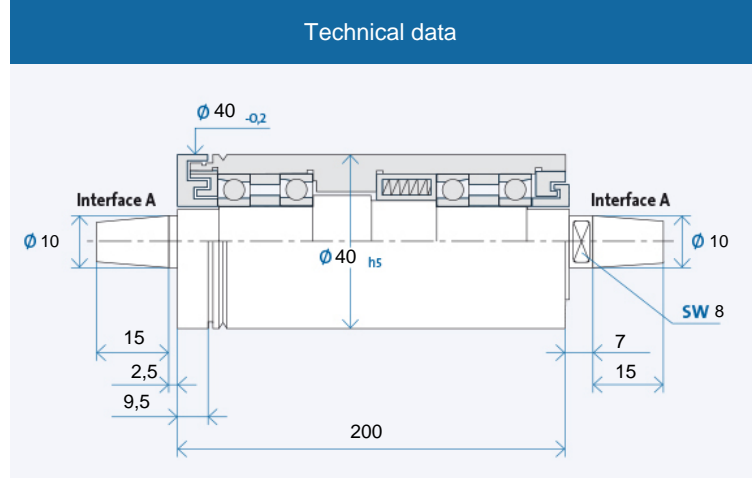


TSA 40 x 200

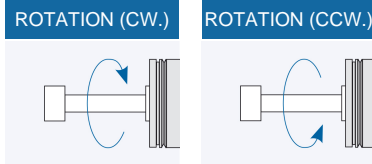


Maximum speed n_{max} [min⁻¹]* for bearing types:

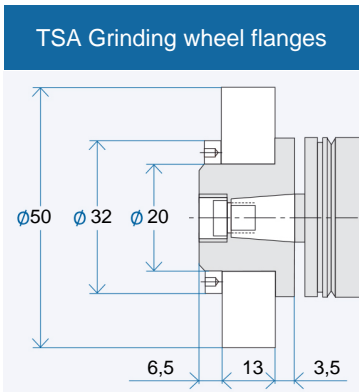
Steel (steel)	45000
Hybrid (optional)	55000

* without tool

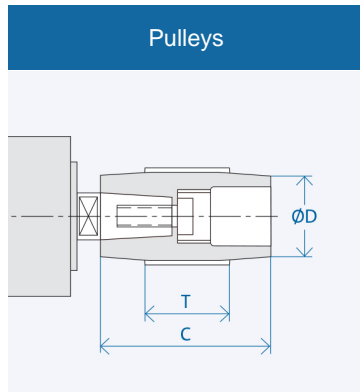
Ordering information: TSA 40 x 200 R is for clockwise, L for counter-clockwise



Accessories

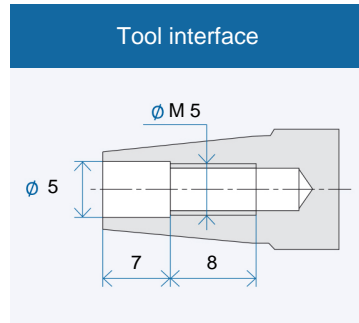


Ordering information flange: AX₁/X₂/X₃
 X₁: Interface: 07/08/...
 X₂: Flange style: MO/MS
 X₃: Wheel:
 K = Corundum grinding wheel
 D = Diamond or CBN grinding wheel
 Puller for flange: AX₁/X₂
 Balancing quill for flange: AX₁

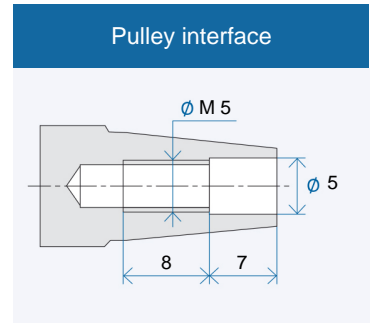


Interface	Dimensions [mm]		
	D	C	T
A 10	18	30	20
	50	30	20
	17	40	20
	20	40	20
	25	40	20
	63	40	20

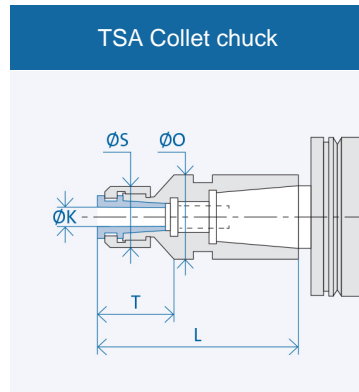
Ordering information pulley: AX₁-X₂
 X₁: Interface: 07/08/...
 X₂: Figure from column D
 Puller for pulley: AX₁/...



Tool interface: taper 1 : 7,5 nominal value, included angle acc. to GMN precision standards

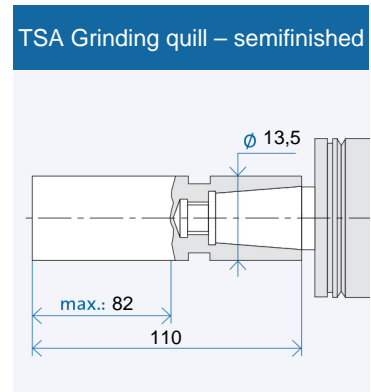


Pulley interface: taper 1 : 7,5 nominal value, included angle acc. to GMN precision standards



Interface	Dimensions [mm]				
	K	T	L	S	O
A 10	3	15,5	42	16	13,5
	4	15,5	42	16	13,5
	5	15,5	42	16	13,5
	6	15,5	42	16	13,5

Ordering information collet chuck: AX₁/X₂-(K)
 X₁: Interface: 07/08/...
 X₂: Housing diameter: 20/26/...
 (K) = Inner diameter collet chuck



Ordering information semifinished: AX₁
 X₁: Interface 10/13/...

This data sheet reflects the state of information at the time of printing. Subject to technical changes. Information on possible options can be obtained from our catalogue which can be downloaded at www.gmn.de