

Labyrinth plastic seal Type SA



SA 120 X 150 X 15

Item number 302002

Technical data

Material:	High-quality polyoxymethylene (POM)
Inner diameter ID:	120 mm
Outer diameter OD:	150 mm
Installed width W:	15 mm
Sealing gap:	Conical
Axial play S_{ax}^* :	0.8 mm
Gap diameter e_1 :	126 mm
Gap diameter e_2 :	142 mm
Speed limit:	6220 rpm
Weight:	0.1118 kg
Operating temperature t:	-40° - 60°C

*Entire movability from one end position to the other

Heavy and direct splashing liquids could be drained through an additional groove in the outer ring – for rotating shafts only.

Installation

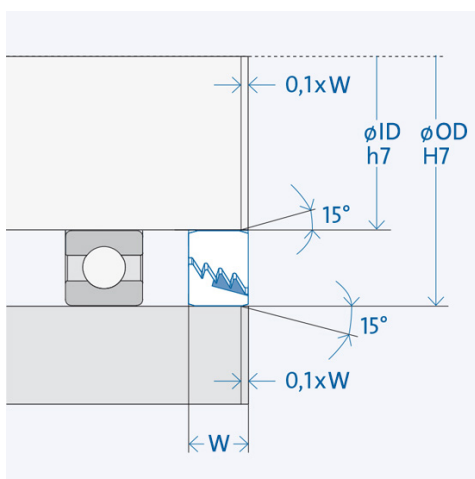
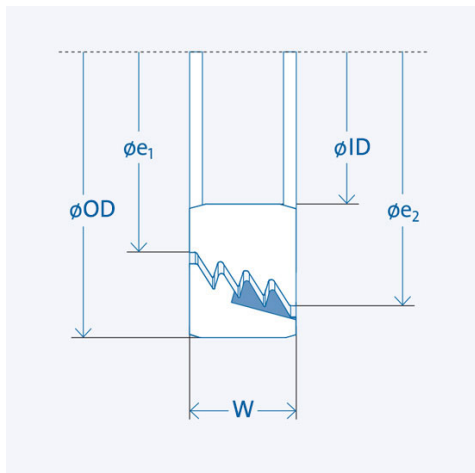
"l" Length (chamfering of shaft and housing) depending on the width W: $l = 0,1 \times B$

Component tolerances

Surrounding structure (mating parts)

Housing: H7 / Shaft: h7

Surface quality: $R_z \leq 16 \mu\text{m}$; $R_a \leq 3,2 \mu\text{m}$



The larger gap diameter e_2 must always face the impact.

The groove in the stationary part must be positioned at the lowest point.

Axial play:

