

# Complete Freewheel Clutch Unit FP 442 M



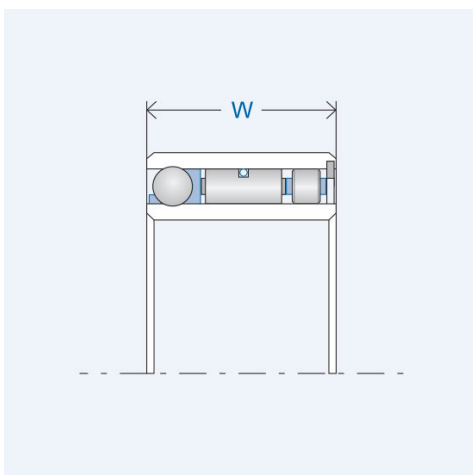
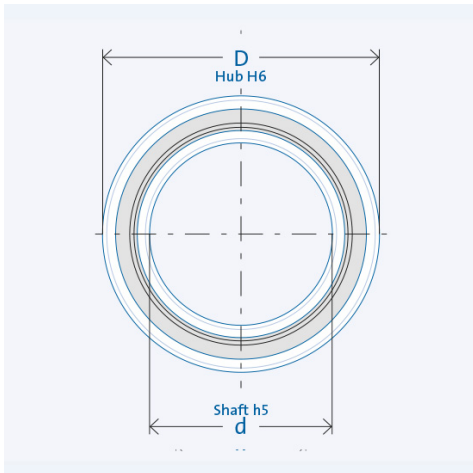
Item number 300679

## Components

<b>Freewheel clutch</b>	<b>Insert Element FE 400 M</b>
· Rings	Bearing steel, hardened and ground
Inner ring	Press fit
Outer ring	Press fit
· Ball bearings	integrated
· Roller bearing	integrated

## Key values

Ø Shaft d:	30 mm
Ø Hub D:	46 mm
Installed width W:	27 mm
Torque $T_{nom}$ :	223 Nm
Number of sprags:	40
Speed $n_{max}$ :	4200 rpm
Weight:	0.142 kg
Load capacity $C_{dyn}$ :	10247 N
Load capacity $C_{stat}$ :	10708 N
Operating temperature:	max. 140°C



## Lubrication

### Oil or grease lubrication

Delivered with corrosion protection.  
Operative grease filling on request.

## Installation

### Installation tolerances

Shaft h5; hub H6

### Mating parts

Hardening and grinding of the mating parts is not necessary. Thoroughly clean (grease free) the mating parts in the vicinity of the freewheel clutch as well as the freewheel clutch's rings before making the press fit.

### Bearing

The freewheel clutch includes ball and roller bearings. Additional external bearing support is not necessary.

### Press fit pressure

Press fit pressure must not be applied to the balls.

### Clamping direction

The arrow on the inner ring designates the inner ring's clamping direction.