

Spindle ball bearing HY S 6002 C TXM P4+

16.07.2024



Components

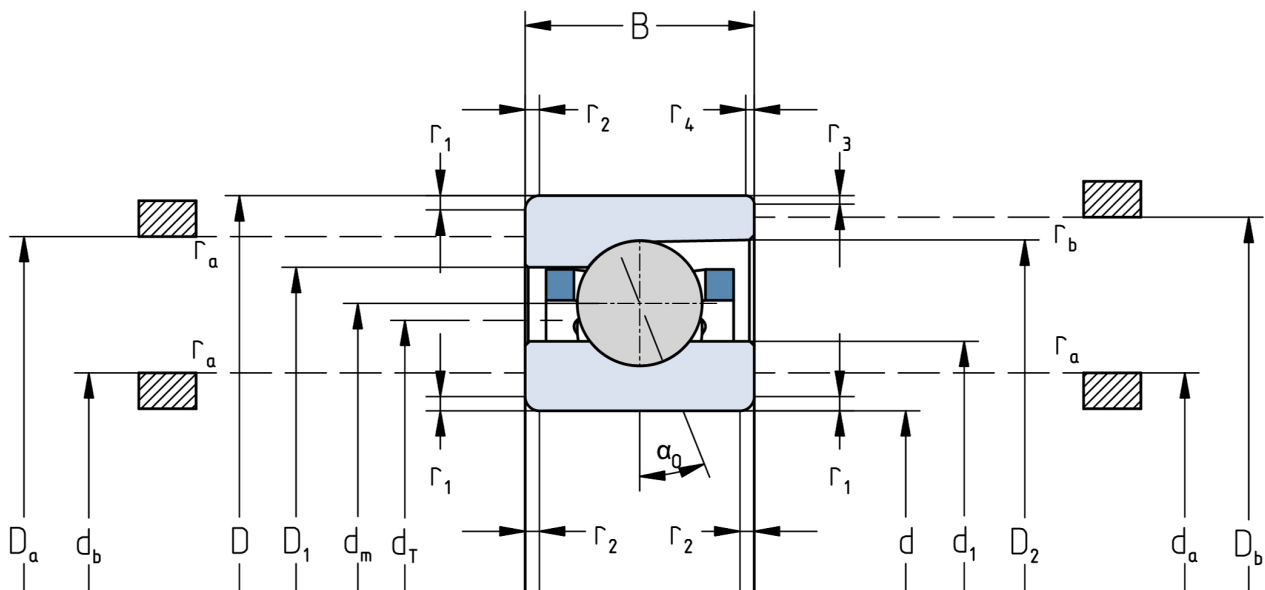
Bearing designation:	HY S 6002 C TXM
Bearing design:	S
Series / size:	6002
Ball material:	Ceramic
Cage:	TXM
Precision:	P4+ (UP+ Upon request)
Main dimensions [d x D x B]:	15 x 32 x 9 mm

Load data

Static load capacity	C_{0r} : 3650 N
Dynamic load capacity	C_r : 6650 N
Fatigue load limit	C_U : 137 N
Speed limit	n_{grease} : 67500 1/min
Speed limit	n_{oil} : 90000 1/min
Light preload	L: 32 N
Axial rigidity	C_{ax} : 25 N/ μ m
Medium preload	M: 100 N
Axial rigidity	C_{ax} : 41 N/ μ m
Heavy preload	S: 200 N
Axial rigidity	C_{ax} : 58 N/ μ m
Spring preload	Ff: 150 N (for n_{max})

Geometrical Data

Bore diameter	d: 15 mm	Oiling nozzle position	d_T : 21.9 mm
Outer diameter	D: 32 mm	Pitch circle diameter	d_m : 23.5 mm
Width of single bearing	B: 9 mm	Inner diameter of outer ring	D_1 : 26.9 mm
Ball diameter	D_w : 4.762 mm	Undercut of associated component	$r_{a max}$: 0.3 mm
Number of balls	Z: 13	Undercut of associated component (open side)	$r_{b max}$: 0.3 mm
Chamfer (min)	$r_{1,2 min}$: 0.3 mm	Abutment diameter inner ring	$d_{a,b min}$: 17.6 mm
Chamfer (min), open side	$r_{3,4 min}$: 0.3 mm	Abutment diameter outer ring	$D_{a,b max}$: 30.2 mm
Outer diameter of inner ring	d_1 : 20.2 mm	Inner diameter of outer ring (open side)	D_2 : 28.4 mm
Outer diameter of inner ring (open side)	d_2 : -	Bearing weight	m: 0.025 kg
		Contact angle	Alpha 0: 15°



The given speed limits apply to individual bearings with spring preload. Correction factors must be considered for all properties which deviate from this.