

# Spindle ball bearing HY S 61917 E TXM P4+

16.07.2024



## Components

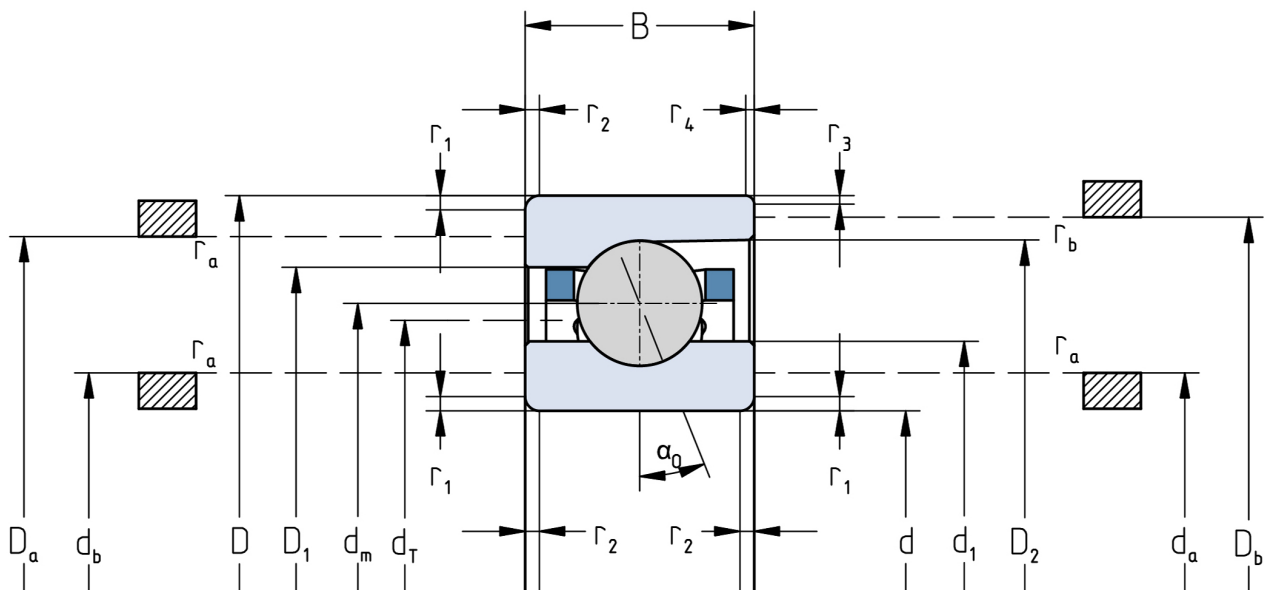
Bearing designation:	HY S 61917 E TXM
Bearing design:	S
Series / size:	61917
Ball material:	Ceramic
Cage:	TXM
Precision:	P4+
Main dimensions [d x D x B]:	85 x 120 x 18 mm

## Load data

Static load capacity	$C_{0r}$ : 39500 N
Dynamic load capacity	$C_r$ : 37500 N
Fatigue load limit	$C_U$ : 1466 N
Speed limit	$n_{grease}$ : 13125 1/min
Speed limit	$n_{oil}$ : 17500 1/min
Light preload	L: 320 N
Axial rigidity	$C_{ax}$ : 231 N/ $\mu$ m
Medium preload	M: 960 N
Axial rigidity	$C_{ax}$ : 348 N/ $\mu$ m
Heavy preload	S: 1910 N
Axial rigidity	$C_{ax}$ : 458 N/ $\mu$ m
Spring preload	Ff: 2780 N (for $n_{max}$ )

## Geometrical Data

Bore diameter	d: 85 mm	Oiling nozzle position	$d_T$ : 99.4 mm
Outer diameter	D: 120 mm	Pitch circle diameter	$d_m$ : 102.5 mm
Width of single bearing	B: 18 mm	Inner diameter of outer ring	$D_1$ : 108.8 mm
Ball diameter	$D_w$ : 10.319 mm	Undercut of associated component	$r_{a max}$ : 0.6 mm
Number of balls	Z: 25	Undercut of associated component (open side)	$r_{b max}$ : 0.6 mm
Chamfer (min)	$r_{1,2 min}$ : 0.6 mm	Abutment diameter inner ring	$d_{a,b min}$ : 90.2 mm
Chamfer (min), open side	$r_{3,4 min}$ : 0.6 mm	Abutment diameter outer ring	$D_{a,b max}$ : 115.6 mm
Outer diameter of inner ring	$d_1$ : 96.2 mm	Inner diameter of outer ring (open side)	$D_2$ : 113 mm
Outer diameter of inner ring (open side)	$d_2$ : -	Bearing weight	m: 0.46 kg
		Contact angle	Alpha 0: 25°



The given speed limits apply to individual bearings with spring preload. Correction factors must be considered for all properties which deviate from this.