

# Labyrinth Metal Seal Type M



M 15 X 26 X 8

Item number 301337

## Technical data

|                              |  |
|------------------------------|--|
| Outer ring material*:        | Aluminum (GD AISi 12)                      |
| Inner ring material:         | Unalloyed construction steel               |
| Inner diameter ID:           | 15 mm                                      |
| Outer diameter OD:           | 26 mm                                      |
| Installed width W:           | 8 mm                                       |
| Sealing gap:                 | Horizontal                                 |
| Axial play $S_{ax}^{**}$ :   | 0.35 mm                                    |
| Radial play $S_{rad}^{**}$ : | $S_{rad} = S_{ax} / \tan(42,5^\circ)$      |
| Gap diameter e:              | 24 mm                                      |
| Gap height:                  | Constant 0,2– 0,5 mm (depending upon size) |
| Keyway width c:              | 3 mm                                       |
| Speed limit:                 | 63500 rpm                                  |
| Weight:                      | 0.0152 kg                                  |
| Operating temperature t:     | -40° - 200°C                               |

\*Aluminum outer ring  
The aluminum outer ring can be slightly non-round as supplied. By pressing in the seal, the relatively easily deformable ring fits the roundness of the hub.  
The outer ring can be up to 0.1 mm wider than the inner ring due to manufacturing. GMN metal labyrinth seals are pressed through a calibration ring ('zero dimension'). The outer ring then springs back due to its elasticity.

\*\*Entire movability from one end position to the other.

Heavy and direct splashing liquids could be drained through a certain number of grooves in the outer ring into a circular groove inside the housing; Width of the circular groove in the customer part:  $R = c + 1$  mm ( $c =$  Keyway width)

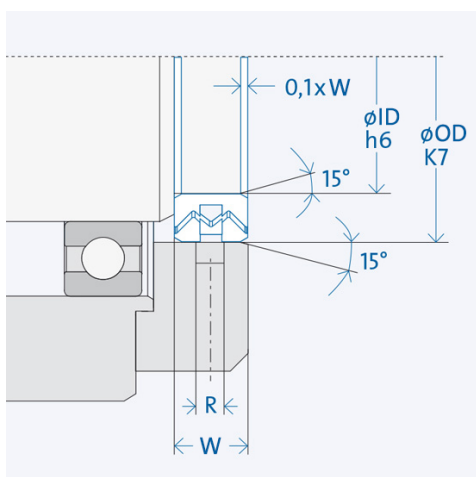
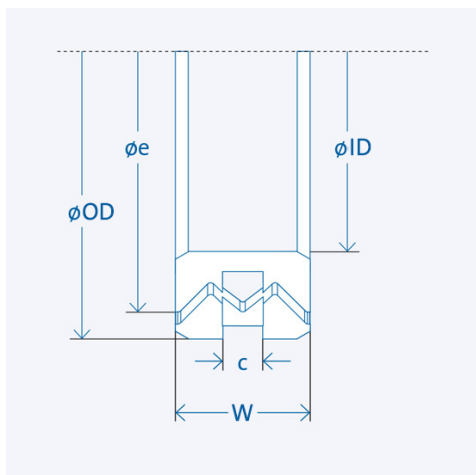
## Installation

"l" Length (chamfering of shaft and housing) depending on the width W:  $l = 0,1 \times B$

## Component tolerances

Surrounding structure (mating parts)

Housing: K7 / Shaft: h6  
Surface quality:  $Rz \leq 16 \mu\text{m}$ ;  $Ra \leq 3,2 \mu\text{m}$



Axial play:

