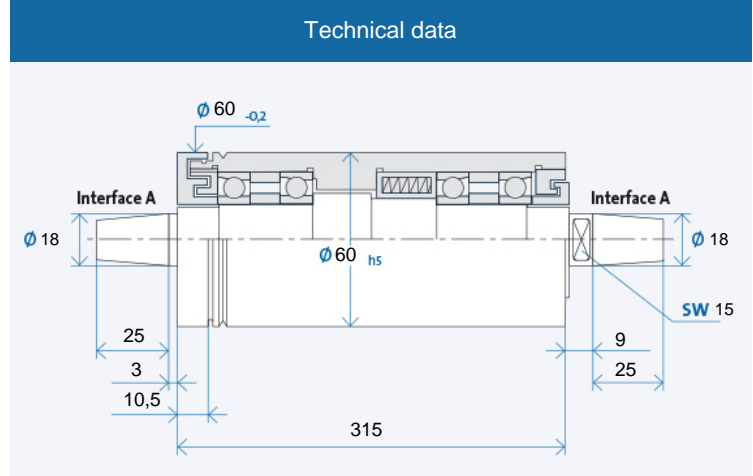


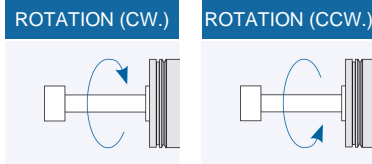
# TSA 60 x 315



Maximum speed $n_{max}$ [min <sup>-1</sup> ]* for bearing types:	
Steel (steel)	30000
Hybrid (optional)	35000

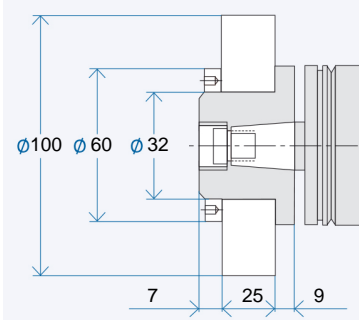
\* without tool

Ordering information: TSA 60 x 315 R is for clockwise, L for counter-clockwise



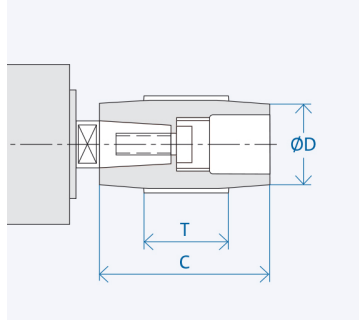
## Accessories

TSA Grinding wheel flanges



Ordering information flange: AX<sub>1</sub>/X<sub>2</sub>/X<sub>3</sub>  
 X<sub>1</sub>: Interface: 07/08/...  
 X<sub>2</sub>: Flange style: MO/MS  
 X<sub>3</sub>: Wheel:  
 K = Corundum grinding wheel  
 D = Diamond or CBN grinding wheel  
 Puller for flange: AX<sub>1</sub>/X<sub>2</sub>  
 Balancing quill for flange: AX<sub>1</sub>

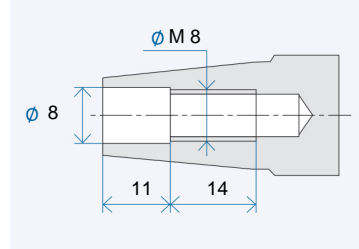
Pulleys



Interface	Dimensions [mm]		
	D	C	T
A 18	25	60	40
	32	60	40
	40	60	40
	100	60	40

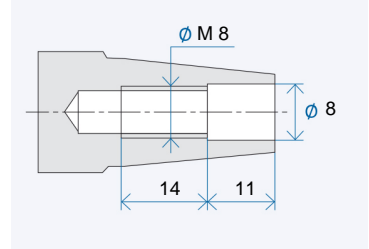
Ordering information pulley: AX<sub>1</sub>-X<sub>2</sub>  
 X<sub>1</sub>: Interface: 07/08/...  
 X<sub>2</sub>: Figure from column D  
 Puller for pulley: AX<sub>1</sub>/...

Tool interface



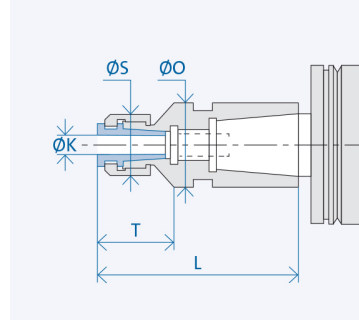
Tool interface: taper 1 : 7,5 nominal value, included angle acc. to GMN precision standards

Pulley interface



Pulley interface: taper 1 : 7,5 nominal value, included angle acc. to GMN precision standards

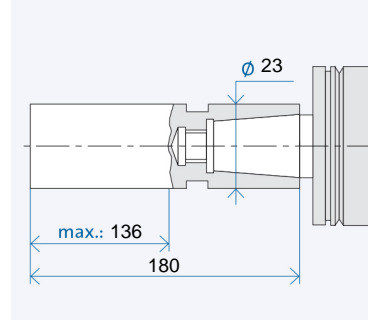
TSA Collet chuck



Interface	Dimensions [mm]				
	K	T	L	S	O
A 18	3	15,5	54	16	23
	4	15,5	54	16	23
	5	15,5	54	16	23
	6	15,5	54	16	23

Ordering information collet chuck: AX<sub>1</sub>/X<sub>2</sub>-(K)  
 X<sub>1</sub>: Interface: 07/08/...  
 X<sub>2</sub>: Housing diameter: 20/26/...  
 (K) = Inner diameter collet chuck

TSA Grinding quill – semifinished



Ordering information semifinished: AX<sub>1</sub>  
 X<sub>1</sub>: Interface 10/13/...