

Spindle ball bearing HY S 61804 E TA P4+

16.07.2024



Components

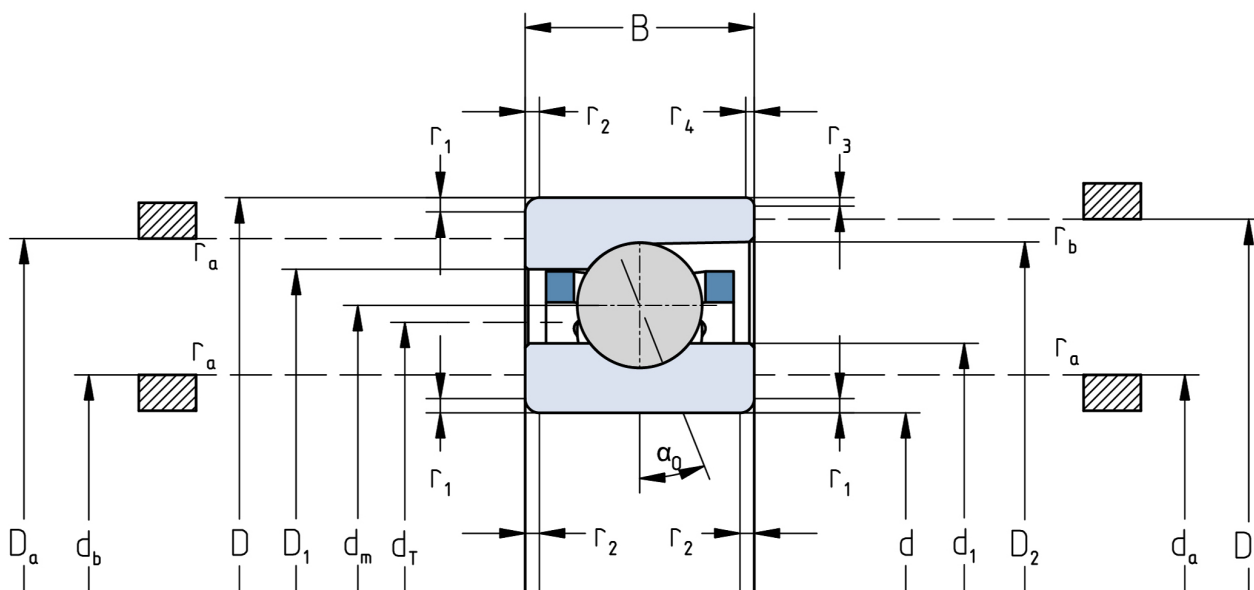
Bearing designation:	HY S 61804 E TA
Bearing design:	S
Series / size:	61804
Ball material:	Ceramic
Cage:	TA
Precision:	P4+
Main dimensions [d x D x B]:	20 x 32 x 7 mm

Load data

Static load capacity	C_{0r} : 2300 N
Dynamic load capacity	C_r : 3450 N
Fatigue load limit	C_U : 87 N
Speed limit	n_{grease} : 52500 1/min
Speed limit	n_{oil} : 70000 1/min
Light preload	L: 30 N
Axial rigidity	C_{ax} : 54 N/ μ m
Medium preload	M: 90 N
Axial rigidity	C_{ax} : 81 N/ μ m
Heavy preload	S: 170 N
Axial rigidity	C_{ax} : 104 N/ μ m
Spring preload	Ff: 170 N (for n_{max})

Geometrical Data

Bore diameter	d: 20 mm	Oiling nozzle position	d_T : 24.9 mm
Outer diameter	D: 32 mm	Pitch circle diameter	d_m : 26 mm
Width of single bearing	B: 7 mm	Inner diameter of outer ring	D_1 : 28.1 mm
Ball diameter	D_w : 3.175 mm	Undercut of associated component	$r_{a \max}$: 0.3 mm
Number of balls	Z: 18	Undercut of associated component (open side)	$r_{b \max}$: 0.3 mm
Chamfer (min)	$r_{1,2 \min}$: 0.3 mm	Abutment diameter inner ring	$d_{a,b \min}$: 21.8 mm
Chamfer (min), open side	$r_{3,4 \min}$: 0.3 mm	Abutment diameter outer ring	$D_{a,b \max}$: 30.5 mm
Outer diameter of inner ring	d_1 : 23.9 mm	Inner diameter of outer ring (open side)	D_2 : 29.2 mm
Outer diameter of inner ring (open side)	d_2 : -	Bearing weight	m: 0.016 kg
		Contact angle	Alpha 0: 25°



The given speed limits apply to individual bearings with spring preload. Correction factors must be considered for all properties which deviate from this.