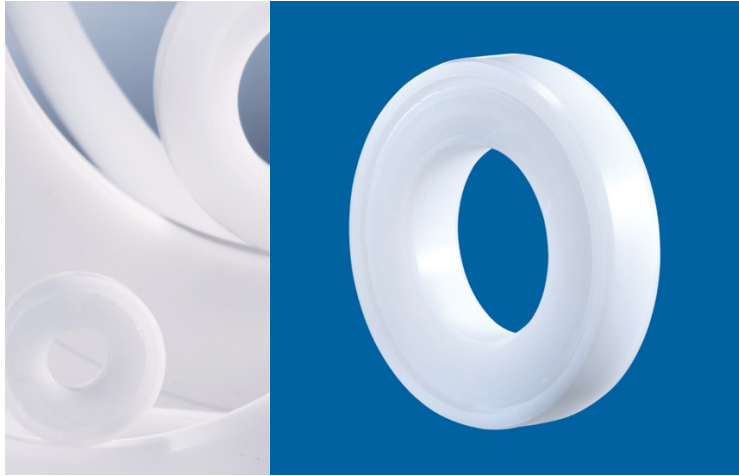


Labyrinth plastic seal Type S



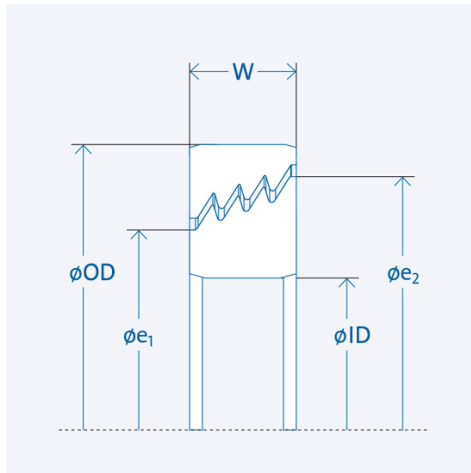
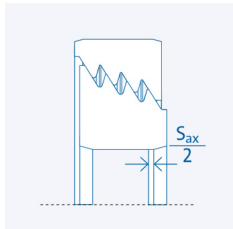
S 160 X 190 X 15

Item number 301750

Technical data

| | |
|--------------------------|-------------------------------------|
| Material: | High-quality polyoxymethylene (POM) |
| Inner diameter ID: | 160 mm |
| Outer diameter OD: | 190 mm |
| Installed width W: | 15 mm |
| Sealing gap: | Conical |
| Axial play S_{ax}^* : | 0.8 mm |
| Gap diameter e_1 : | 166 mm |
| Gap diameter e_2 : | 182 mm |
| Speed limit: | 4100 rpm |
| Weight: | 0.137 kg |
| Operating temperature t: | -40° - 60°C |

*Entire movability from one end position to the other



Installation

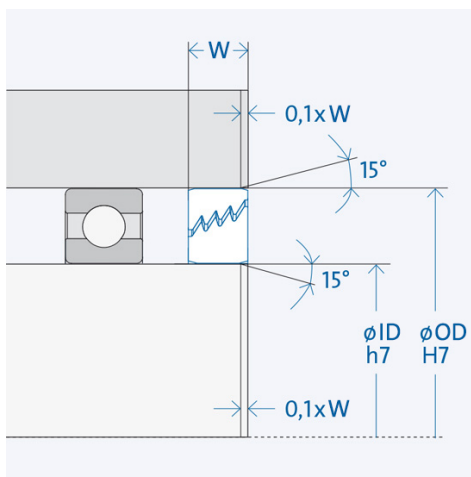
"l" Length (chamfering of shaft and housing) depending on the width W: $l = 0,1 \times W$

Component tolerances

Surrounding structure (mating parts)

Housing: H7 / Shaft: h7

Surface quality: $R_z \leq 16 \mu\text{m}$; $R_a \leq 3,2 \mu\text{m}$



The larger gap diameter e_2 must always face the impact.