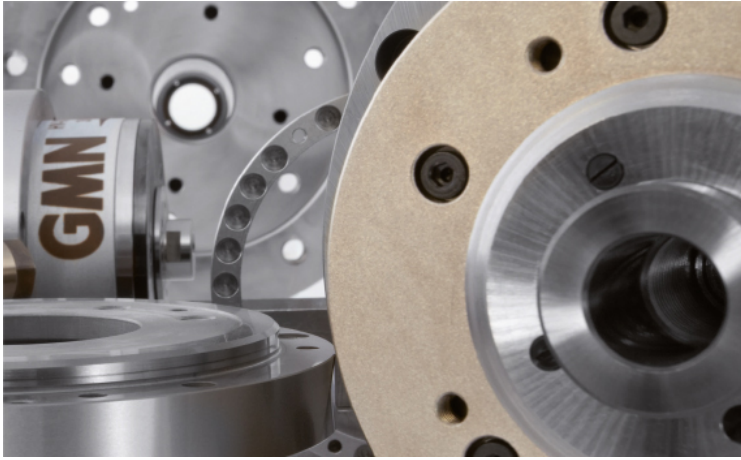
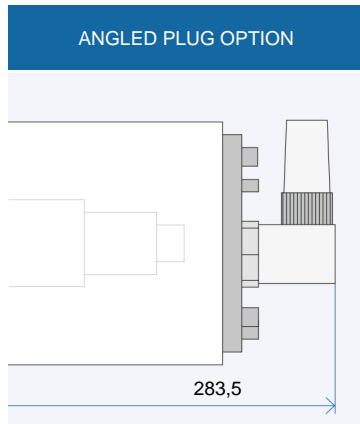
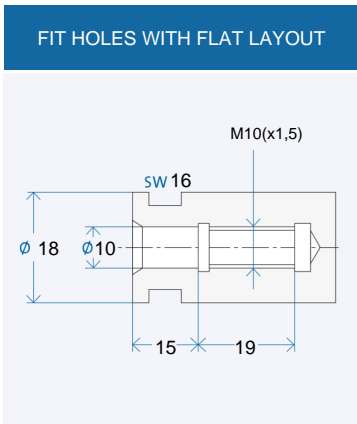
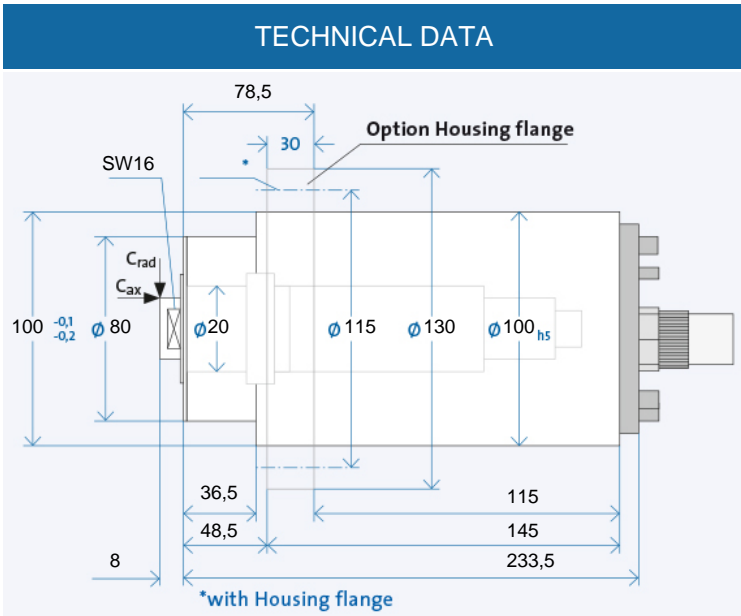


# HV-X 100 - 90000/3



Technical data		
∅ Spindle housing	A	[mm]
Speed max.	$n_{max}$	[min <sup>-1</sup> ]
Bearing; front	$W_1$	[mm]
Tool interface		
∅ Flat layout	W	[mm]
Static rigidity		
axial	$C_{ax}$	[N/μm]
radial	$C_{rad}$	[N/μm]
Motor realization		
Frequency max.	$f_{max}$	[Hz]
Converter voltage <sup>1)</sup>		[V]
Power	$P_{S1}$	[kW]
Torque	$M_{S1}$	[Nm]
... at speed	$n$	[min <sup>-1</sup> ]
Current	$I_{S1}$	[A]
Power	$P_{S6-60\%}$	[kW]
Torque	$M_{S6-60\%}$	[Nm]
... at speed	$n$	[min <sup>-1</sup> ]
Current	$I_{S6-60\%}$	[A]

HV-X 100 - 90000/3			
100			
90000			
20			
D 10/18			
18			
37			
40			
200 V	350 V	460 V	
1500			
200	350	460	
2,5			
0,265			
90000			
13	7,5	5,7	
3			
0,318			
90000			
16	9	6,8	



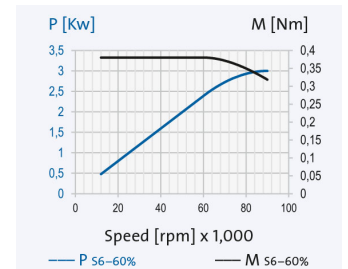
Electrical connection		
Plug type		
Straight plug connection		
Coil plug connector		
Fixed cable XXm		
Coolant feed through the shaft		
Low pressure (du)		
High-pressure (dh)		
Sensors		
Rotary encoder		
Speed sensor		
Housing		
Cylindrical housing		
Cylindrical housing with flange		
Block housing		
Air-tight seal		

GA	GA	GA
+	+	+
o	o	o
o	o	o
	o	
	-	
	-	
	+	
	+	
	o	
	x	
	o	

<sup>1)</sup> Minimum required starting voltage for the frequency converter.

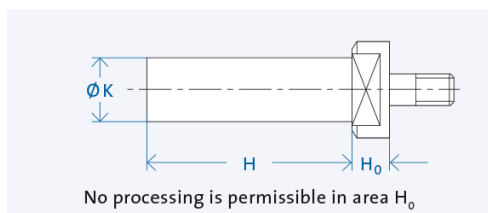
- + Standard
- o Optional
- x Upon request

**Ordering information:**  
 HV-X 100 - 90000/3  
 R is for clockwise, L for counter-clockwise  
 + Desired options



The data currently provided on the internet apply. Further and detailed information is provided in the GMN 2508 catalogue.

# HV-X 100 - 90000/3



## Semi-finished goods

GMN semi-finished products allow the individual adaptation of the tool interface for any connections.

d <sub>1</sub>	K [mm]	H [mm]
D 10/18	18	90

Ordering information: »Semi-finished goods« [Shaft Ø K] x [Shaft length H] [Interface]  
 Example: Semi-finished goods 34 x 180 D16/33



## Lubrication system

The electronically controlled PRELUB lubrication unit is optimally adapted to the oil-air lubricated GMN spindles and guarantees a long service life.



## Cooling system

GMN cooling units ensure precisely adjustable temperature and quantity delivery of the coolant and achieve consistently low operating temperatures.



## Cable and plug

Ready-made cables with B048, B049, GA, MAC, D500 and STK plugs are available on request. For the spindle/converter connection, GMN supplies UL/CSA approved electrical cables suitable for use in drag chains.