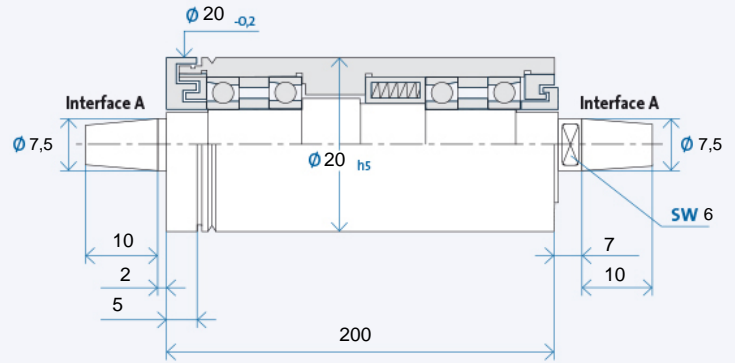


TSA 20 x 200



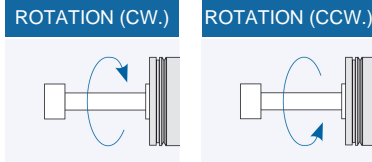
Technical data



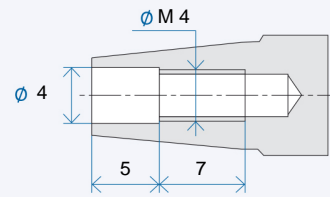
| Maximum speed n_{max} [min-1]* for bearing types: | |
|---|-------|
| Steel (steel) | 60000 |
| Hybrid (optional) | x |

* without tool

Ordering information: TSA 20 x 200 R is for clockwise, L for counter-clockwise

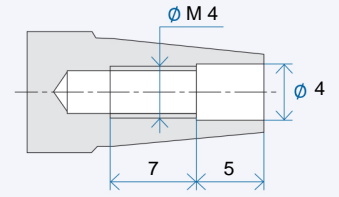


Tool interface



Tool interface: taper 1 : 7,5 nominal value, included angle acc. to GMN precision standards

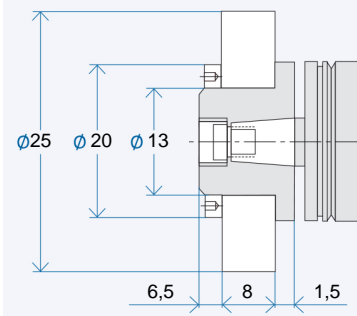
Pulley interface



Pulley interface: taper 1 : 7,5 nominal value, included angle acc. to GMN precision standards

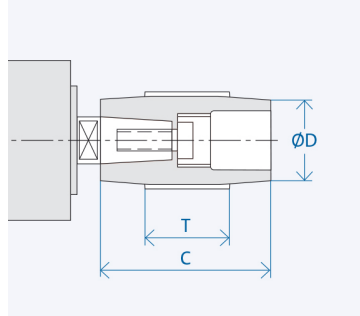
Accessories

TSA Grinding wheel flanges



Ordering information flange: AX₁/X₂/X₃
 X₁: Interface: 07/08/...
 X₂: Flange style: MO/MS
 X₃: Wheel:
 K = Corundum grinding wheel
 D = Diamond or CBN grinding wheel
 Puller for flange: AX₁/X₂
 Balancing quill for flange: AX₁

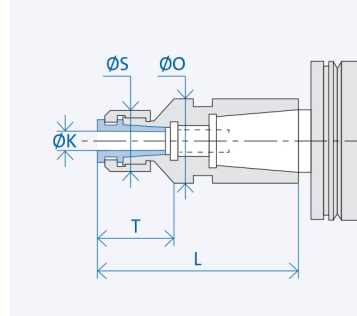
Pulleys



| Interface | Dimensions [mm] | | |
|-----------|-----------------|----|----|
| | D | C | T |
| A 07 | 14 | 20 | 10 |
| | 28 | 20 | 10 |

Ordering information pulley: AX₁-X₂
 X₁: Interface: 07/08/...
 X₂: Figure from column D
 Puller for pulley: AX₁/...

TSA Collet chuck



| Interface | Dimensions [mm] | | | | |
|-----------|-----------------|------|----|----|------|
| | K | T | L | S | O |
| A 07 | 2 | 13,5 | 36 | 14 | 10,5 |
| | 3 | 13,5 | 36 | 14 | 10,5 |
| | 4 | 13,5 | 36 | 14 | 10,5 |

Ordering information collet chuck: AX₁/X₂-(K)
 X₁: Interface: 07/08/...
 X₂: Housing diameter: 20/26/...
 (K) = Inner diameter collet chuck