

# Spindle ball bearing HY S 6203 E TXM P4+

16.07.2024



## Components

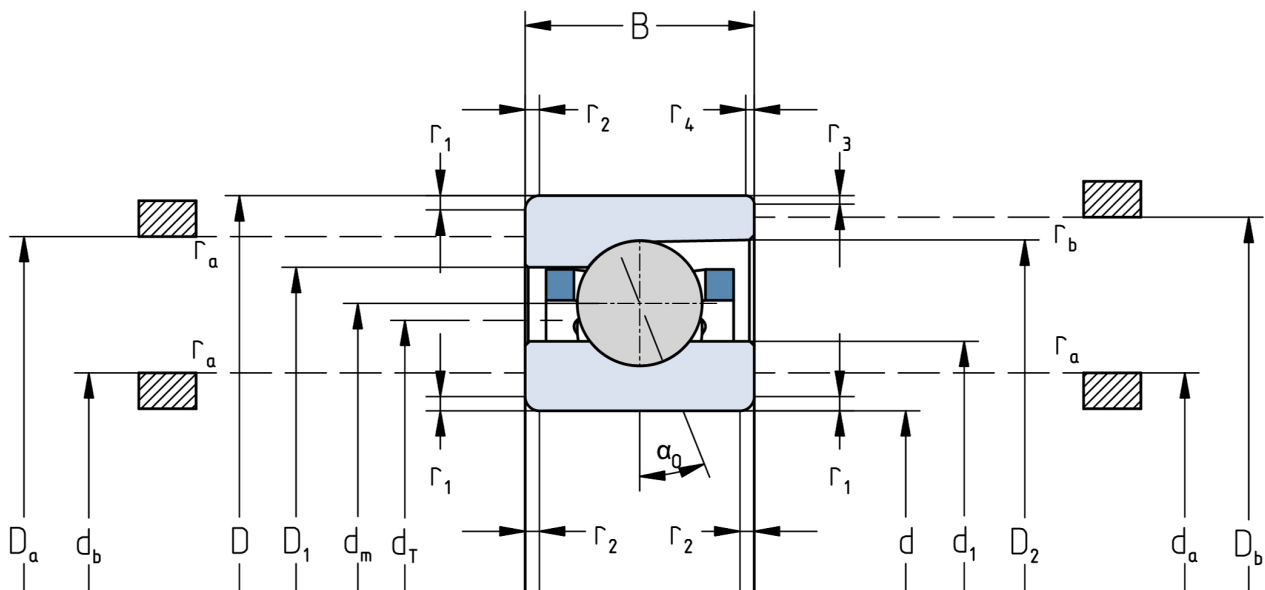
Bearing designation:	HY S 6203 E TXM
Bearing design:	S
Series / size:	6203
Ball material:	Ceramic
Cage:	TXM
Precision:	P4+ (UP+ Upon request)
Main dimensions [d x D x B]:	17 x 40 x 12 mm

## Load data

Static load capacity	$C_{0r}$ : 5900 N
Dynamic load capacity	$C_r$ : 11000 N
Fatigue load limit	$C_U$ : 223 N
Speed limit	$n_{grease}$ : 48000 1/min
Speed limit	$n_{oil}$ : 64000 1/min
Light preload	L: 90 N
Axial rigidity	$C_{ax}$ : 76 N/ $\mu$ m
Medium preload	M: 280 N
Axial rigidity	$C_{ax}$ : 116 N/ $\mu$ m
Heavy preload	S: 560 N
Axial rigidity	$C_{ax}$ : 155 N/ $\mu$ m
Spring preload	Ff: 420 N (for $n_{max}$ )

## Geometrical Data

Bore diameter	d: 17 mm	Oiling nozzle position	$d_T$ : 26.6 mm
Outer diameter	D: 40 mm	Pitch circle diameter	$d_m$ : 28.5 mm
Width of single bearing	B: 12 mm	Inner diameter of outer ring	$D_1$ : 33 mm
Ball diameter	$D_w$ : 6.747 mm	Undercut of associated component	$r_{a \max}$ : 0.6 mm
Number of balls	Z: 11	Undercut of associated component (open side)	$r_{b \max}$ : 0.3 mm
Chamfer (min)	$r_{1,2 \min}$ : 0.6 mm	Abutment diameter inner ring	$d_{a,b \min}$ : 20.9 mm
Chamfer (min), open side	$r_{3,4 \min}$ : 0.3 mm	Abutment diameter outer ring	$D_{a,b \max}$ : 37.2 mm
Outer diameter of inner ring	$d_1$ : 24.1 mm	Inner diameter of outer ring (open side)	$D_2$ : 35.4 mm
Outer diameter of inner ring (open side)	$d_2$ : -	Bearing weight	m: 0.055 kg
		Contact angle	Alpha 0: 25°



The given speed limits apply to individual bearings with spring preload. Correction factors must be considered for all properties which deviate from this.