

Spindle ball bearing HY S 61919 E TA P4+

16.07.2024



Components

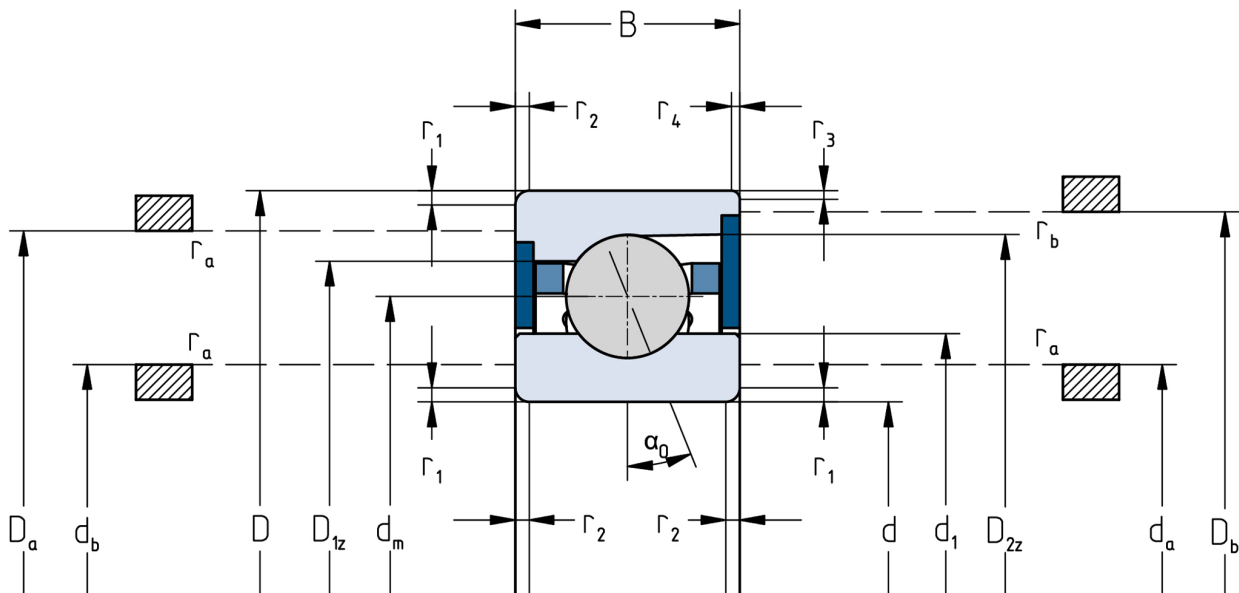
Bearing designation:	HY S 61919 E TA
Bearing design:	S
Series / size:	61919
Ball material:	Ceramic
Cage:	TA
Seal:	2RZ upon request
Precision:	P4+
Main dimensions [d x D x B]:	95 x 130 x 18 mm

Load data

Static load capacity	C_{0r} : 43000 N
Dynamic load capacity	C_r : 39000 N
Fatigue load limit	C_U : 1529 N
Speed limit	n_{grease} : 12000 1/min
Speed limit	n_{oil} : 16000 1/min
Light preload	L: 330 N
Axial rigidity	C_{ax} : 246 N/ μ m
Medium preload	M: 980 N
Axial rigidity	C_{ax} : 368 N/ μ m
Heavy preload	S: 1970 N
Axial rigidity	C_{ax} : 485 N/ μ m
Spring preload	Ff: 2900 N (for n_{max})

Geometrical Data

Bore diameter	d: 95 mm	Oiling nozzle position	d_f : 109.4 mm
Outer diameter	D: 130 mm	Pitch circle diameter	d_m : 112.5 mm
Width of single bearing	B: 18 mm	Inner diameter of outer ring	D_1 : 118.8 mm
Ball diameter	D_w : 10.319 mm	Undercut of associated component	$r_{a \max}$: 0.6 mm
Number of balls	Z: 27	Undercut of associated component (open side)	$r_{b \max}$: 0.6 mm
Chamfer (min)	$r_{1,2 \min}$: 0.6 mm	Abutment diameter inner ring	$d_{a,b \min}$: 100.1 mm
Chamfer (min), open side	$r_{3,4 \min}$: 0.6 mm	Abutment diameter outer ring	$D_{a,b \max}$: 125.6 mm
Outer diameter of inner ring	d_1 : 106.2 mm	Inner diameter of outer ring (open side)	D_2 : 123 mm
Outer diameter of inner ring (open side)	d_2 : -	Bearing weight	m: 0.51 kg
		Contact angle	Alpha 0: 25°



The given speed limits apply to individual bearings with spring preload. Correction factors must be considered for all properties which deviate from this.