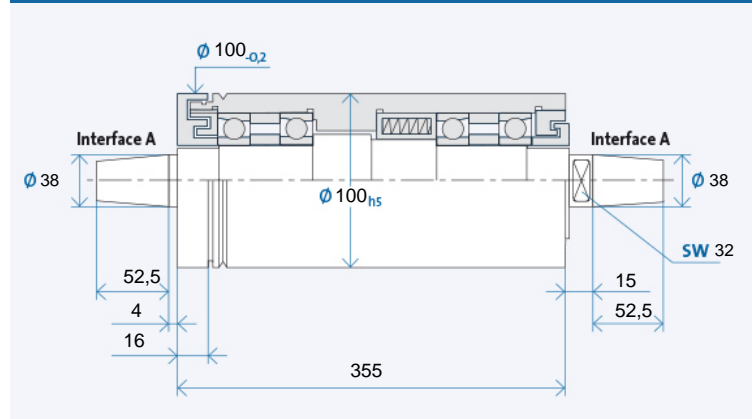


TSA 100 x 355



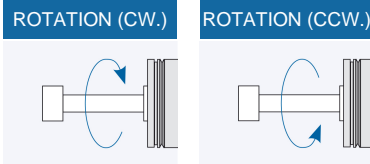
Technical data



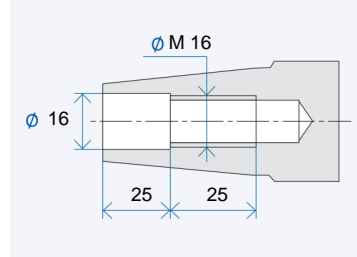
Maximum speed n_{max} [min ⁻¹]* for bearing types:	
Steel (steel)	15000
Hybrid (optional)	20000

* without tool

Ordering information: TSA 100 x 355 R is for clockwise, L for counter-clockwise

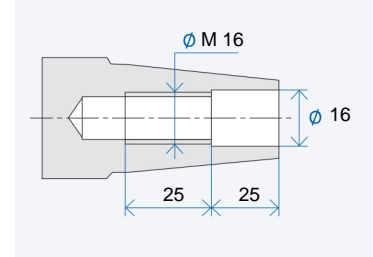


Tool interface



Tool interface: taper 1 : 7,5 nominal value, included angle acc. to GMN precision standards

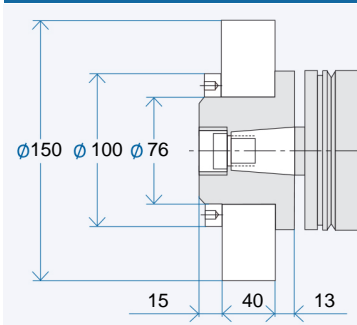
Pulley interface



Pulley interface: taper 1 : 7,5 nominal value, included angle acc. to GMN precision standards

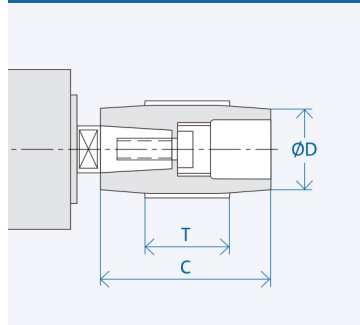
Accessories

TSA Grinding wheel flanges



Ordering information flange: AX₁/X₂/X₃
 X₁: Interface: 07/08/...
 X₂: Flange style: MO/MS
 X₃: Wheel: K = Corundum grinding wheel, D = Diamond or CBN grinding wheel
 Puller for flange: AX₁/X₂
 Balancing quill for flange: AX₁

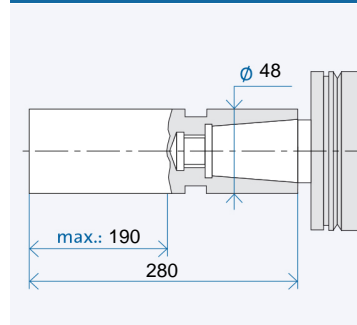
Pulleys



Interface	Dimensions [mm]		
	D	C	T
A 38	50	80	60
	63	80	60
	160	80	60

Ordering information pulley: AX₁-X₂
 X₁: Interface: 07/08/...
 X₂: Figure from column D
 Puller for pulley: AX₁/...

TSA Grinding quill – semifinished



Ordering information semifinished: AX₁
 X₁: Interface 10/13/...