

Spindle ball bearing SM 61913 C TA P4+

16.07.2024



Components

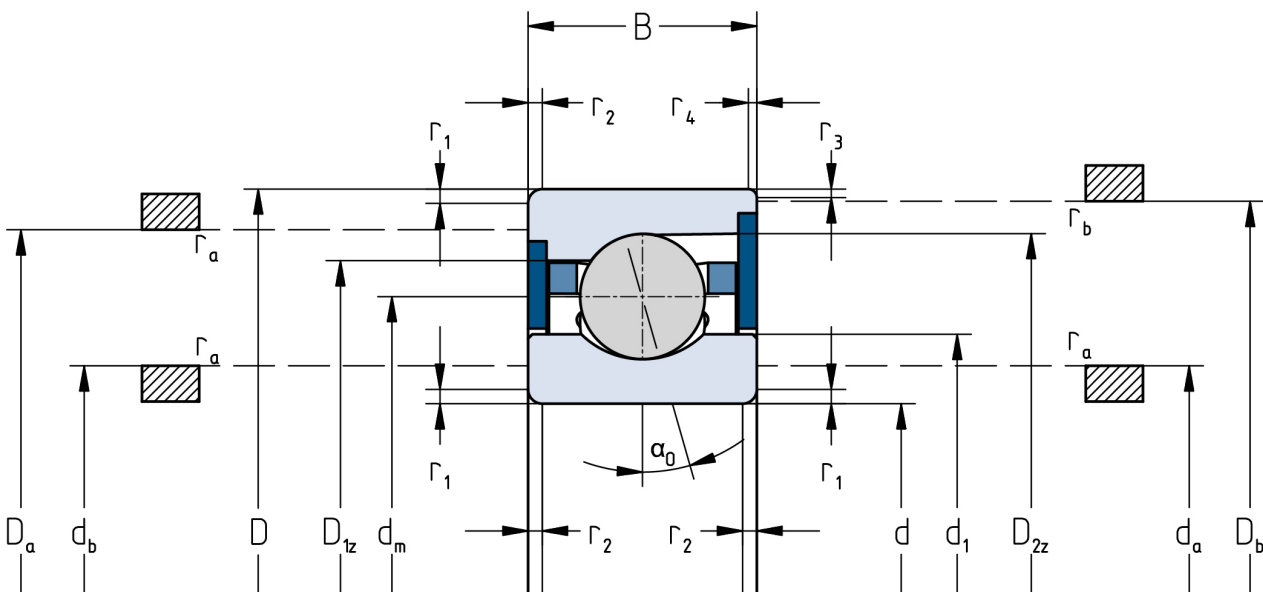
| | |
|------------------------------|------------------|
| Bearing designation: | SM 61913 C TA |
| Bearing design: | SM |
| Series / size: | 61913 |
| Ball material: | Steel 100Cr6 |
| Cage: | TA |
| Seal: | 2RZ upon request |
| Precision: | P4+ |
| Main dimensions [d x D x B]: | 65 x 90 x 13 mm |

Load data

| | |
|-----------------------|----------------------------|
| Static load capacity | C_{0r} : 10900 N |
| Dynamic load capacity | C_r : 14400 N |
| Fatigue load limit | C_U : 566 N |
| Speed limit | n_{grease} : 19500 1/min |
| Speed limit | n_{oil} : 26000 1/min |
| Light preload | L: 75 N |
| Axial rigidity | C_{ax} : 64 N/ μ m |
| Medium preload | M: 220 N |
| Axial rigidity | C_{ax} : 95 N/ μ m |
| Heavy preload | S: 440 N |
| Axial rigidity | C_{ax} : 125 N/ μ m |
| Spring preload | Ff: 790 N (for n_{max}) |

Geometrical Data

| | | | |
|--|-------------------------|--|--------------------------|
| Bore diameter | d: 65 mm | Oiling nozzle position | d_f : 75.4 mm |
| Outer diameter | D: 90 mm | Pitch circle diameter | d_m : 77.5 mm |
| Width of single bearing | B: 13 mm | Inner diameter of outer ring | D_1 : 81.9 mm |
| Ball diameter | D_w : 7.144 mm | Undercut of associated component | $r_{a \max}$: 1 mm |
| Number of balls | Z: 24 | Undercut of associated component (open side) | $r_{b \max}$: 0.3 mm |
| Chamfer (min) | $r_{1,2 \min}$: 1 mm | Abutment diameter inner ring | $d_{a,b \min}$: 69.9 mm |
| Chamfer (min), open side | $r_{3,4 \min}$: 0.3 mm | Abutment diameter outer ring | $D_{a,b \max}$: 85.5 mm |
| Outer diameter of inner ring | d_1 : 73.1 mm | Inner diameter of outer ring (open side) | D_2 : 84.7 mm |
| Outer diameter of inner ring (open side) | d_2 : - | Bearing weight | m: 0.2 kg |
| | | Contact angle | Alpha 0: 19° |



The given speed limits apply to individual bearings with spring preload. Correction factors must be considered for all properties which deviate from this.