

Spindle ball bearing S 6203 C TA P4+

16.07.2024



Components

Bearing designation:	S 6203 C TA
Bearing design:	S
Series / size:	6203
Ball material:	Steel 100Cr6
Cage:	TA
Seal:	2RZ upon request
Precision:	P4+ (UP+ Upon request)

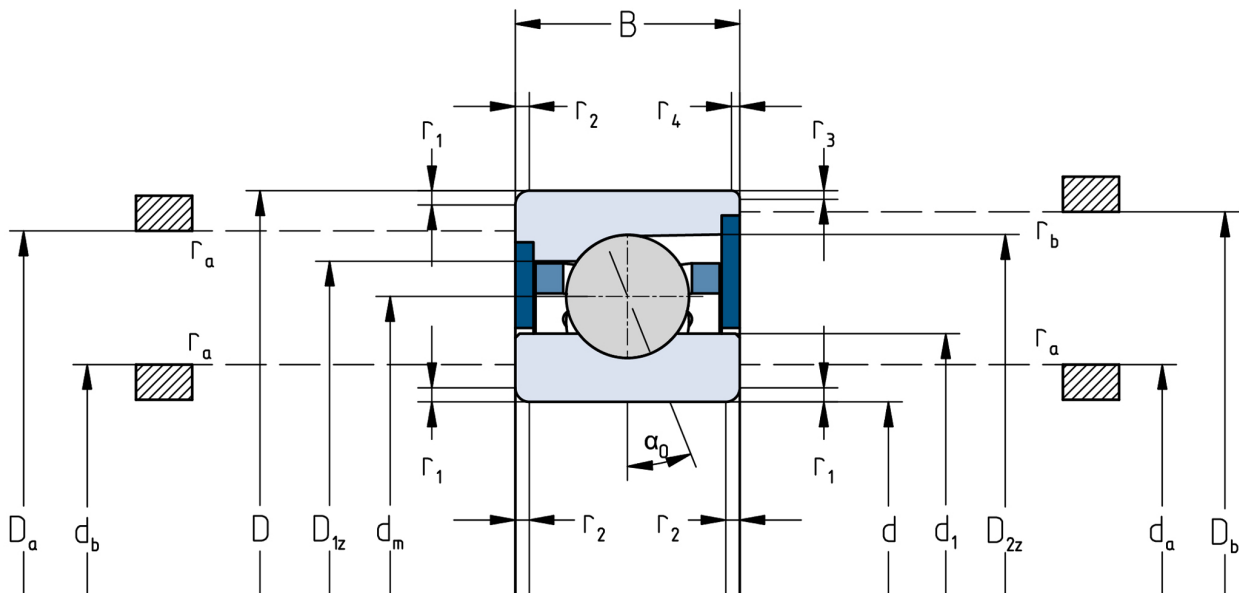
Main dimensions [d x D x B]: 17 x 40 x 12 mm

Load data

Static load capacity	C_{0r} : 6400 N
Dynamic load capacity	C_r : 11400 N
Fatigue load limit	C_U : 332 N
Speed limit	n_{grease} : 45000 1/min
Speed limit	n_{oil} : 60000 1/min
Light preload	L: 60 N
Axial rigidity	C_{ax} : 29 N/ μ m
Medium preload	M: 170 N
Axial rigidity	C_{ax} : 47 N/ μ m
Heavy preload	S: 350 N
Axial rigidity	C_{ax} : 68 N/ μ m
Spring preload	Ff: 360 N (for n_{max})

Geometrical Data

Bore diameter	d: 17 mm	Oiling nozzle position	d_f : 26.6 mm
Outer diameter	D: 40 mm	Pitch circle diameter	d_m : 28.5 mm
Width of single bearing	B: 12 mm	Inner diameter of outer ring	D_1 : 33 mm
Ball diameter	D_w : 6.747 mm	Undercut of associated component	$r_{a \max}$: 0.6 mm
Number of balls	Z: 11	Undercut of associated component (open side)	$r_{b \max}$: 0.3 mm
Chamfer (min)	$r_{1,2 \min}$: 0.6 mm	Abutment diameter inner ring	$d_{a,b \min}$: 20.9 mm
Chamfer (min), open side	$r_{3,4 \min}$: 0.3 mm	Abutment diameter outer ring	$D_{a,b \max}$: 37.2 mm
Outer diameter of inner ring	d_1 : 24.1 mm	Inner diameter of outer ring (open side)	D_2 : 35.4 mm
Outer diameter of inner ring (open side)	d_2 : -	Bearing weight	m: 0.063 kg
		Contact angle	Alpha 0: 15°



The given speed limits apply to individual bearings with spring preload. Correction factors must be considered for all properties which deviate from this.