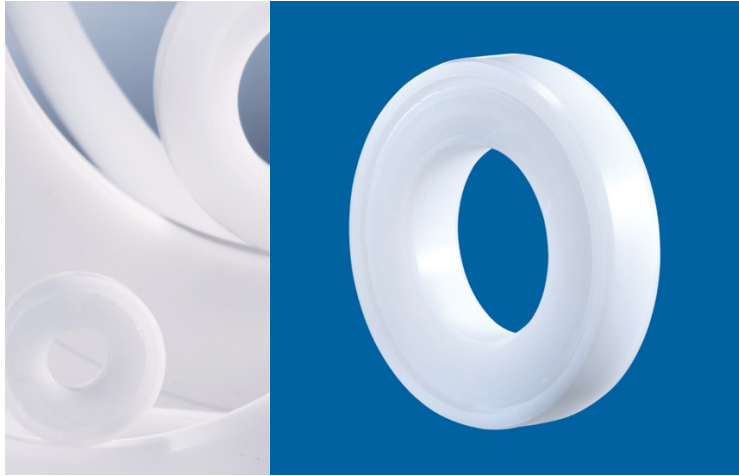


# Labyrinth plastic seal Type S



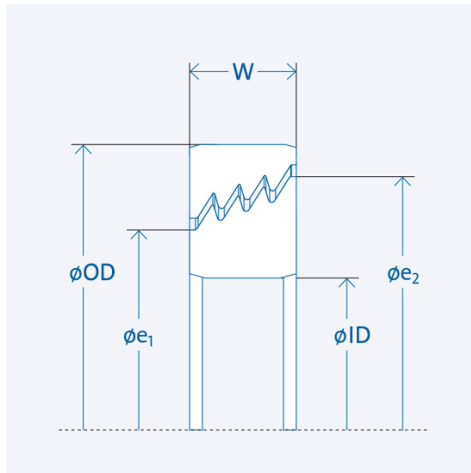
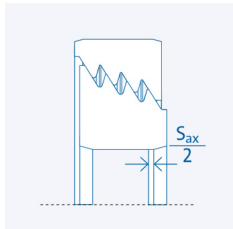
S 45 X 80 X 10

Item number 301584

## Technical data

|                          |                                     |
|--------------------------|-------------------------------------|
| Material:                | High-quality polyoxymethylene (POM) |
| Inner diameter ID:       | 45 mm                               |
| Outer diameter OD:       | 80 mm                               |
| Installed width W:       | 10 mm                               |
| Sealing gap:             | Conical                             |
| Axial play $S_{ax}^*$ :  | 0.8 mm                              |
| Gap diameter $e_1$ :     | 60 mm                               |
| Gap diameter $e_2$ :     | 74 mm                               |
| Speed limit:             | 19200 rpm                           |
| Weight:                  | 0.0381 kg                           |
| Operating temperature t: | -40° - 60°C                         |

\*Entire movability from one end position to the other



## Installation

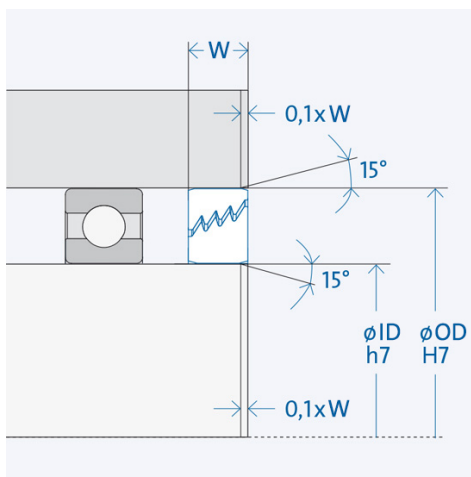
"l" Length (chamfering of shaft and housing) depending on the width W:  $l = 0,1 \times W$

## Component tolerances

Surrounding structure (mating parts)

Housing: H7 / Shaft: h7

Surface quality:  $R_z \leq 16 \mu\text{m}$ ;  $R_a \leq 3,2 \mu\text{m}$



The larger gap diameter  $e_2$  must always face the impact.