

# Spindle ball bearing KH 6013 E TA P4+

16.07.2024



## Components

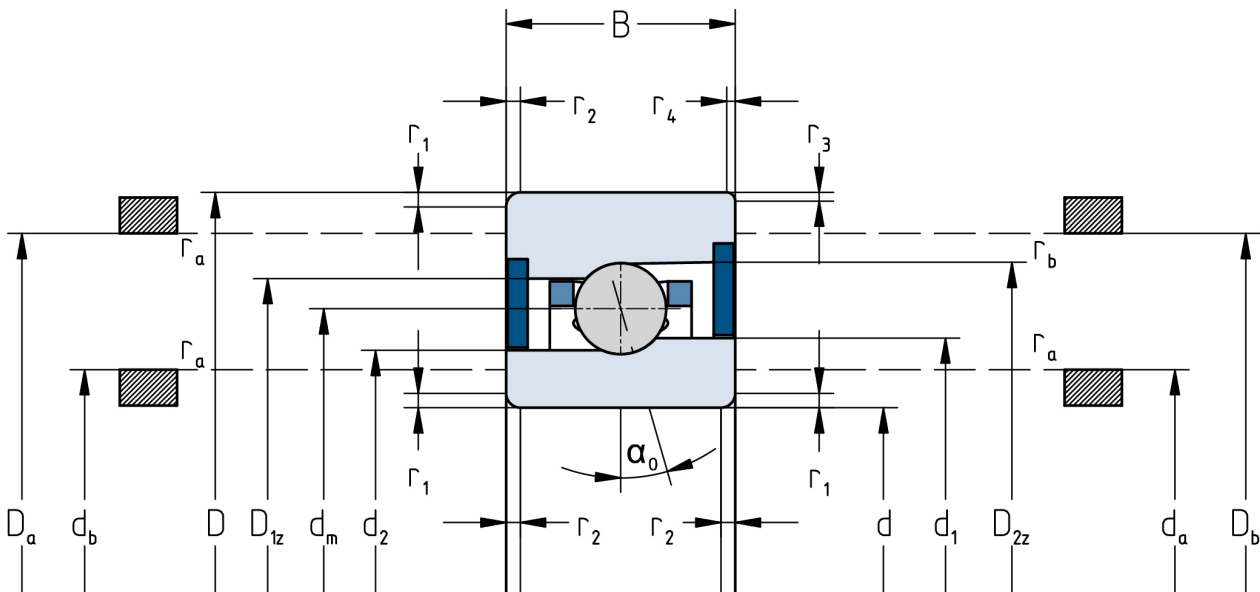
Bearing designation:	KH 6013 E TA
Bearing design:	KH
Series / size:	6013
Ball material:	Steel 100Cr6
Cage:	TA
Seal:	2RZ optional (with grease)
Precision:	P4+
Main dimensions [d x D x B]:	65 x 100 x 18 mm

## Load data

Static load capacity	$C_{0r}$ : 12100 N
Dynamic load capacity	$C_r$ : 16500 N
Fatigue load limit	$C_U$ : 626 N
Speed limit	$n_{grease}$ : 17625 1/min
Speed limit	$n_{oil}$ : 23500 1/min
Light preload	L: 140 N
Axial rigidity	$C_{ax}$ : 125 N/ $\mu$ m
Medium preload	M: 410 N
Axial rigidity	$C_{ax}$ : 183 N/ $\mu$ m
Heavy preload	S: 800 N
Axial rigidity	$C_{ax}$ : 234 N/ $\mu$ m
Spring preload	Ff: 1190 N (for $n_{max}$ )

## Geometrical Data

Bore diameter	d: 65 mm	Oiling nozzle position	$d_7$ : 79.3 mm
Outer diameter	D: 100 mm	Pitch circle diameter	$d_m$ : 81.5 mm
Width of single bearing	B: 18 mm	Inner diameter of outer ring	$D_1$ : 86.5 mm
Ball diameter	$D_w$ : 7.938 mm	Undercut of associated component	$r_{a max}$ : 1 mm
Number of balls	Z: 25	Undercut of associated component (open side)	$r_{b max}$ : 1 mm
Chamfer (min)	$r_{1,2 min}$ : 1.1 mm	Abutment diameter inner ring	$d_{a,b min}$ : 70.6 mm
Chamfer (min), open side	$r_{3,4 min}$ : 1 mm	Abutment diameter outer ring	$D_{a,b max}$ : 95.1 mm
Outer diameter of inner ring	$d_1$ : 76.9 mm	Inner diameter of outer ring (open side)	$D_2$ : 89.6 mm
Outer diameter of inner ring (open side)	$d_2$ : 75.7 mm	Bearing weight	m: 0.455 kg
		Contact angle	Alpha 0: 25°



The given speed limits apply to individual bearings with spring preload. Correction factors must be considered for all properties which deviate from this.