

# Spindle ball bearing HY KH 61901 C TA P4+

16.07.2024



## Components

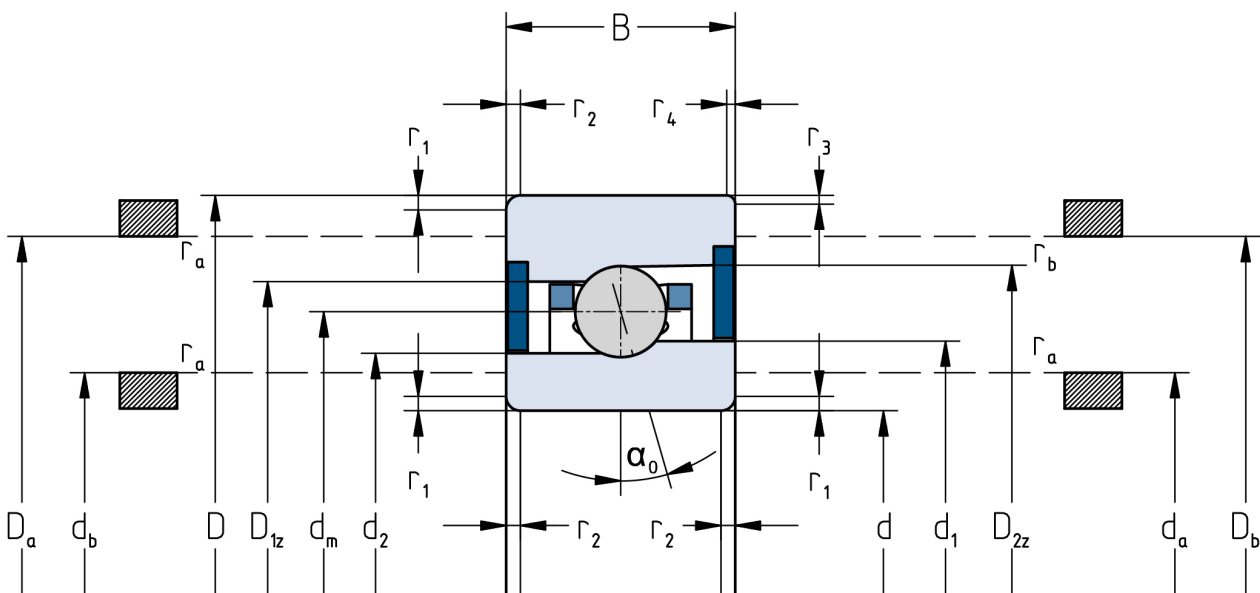
Bearing designation:	HY KH 61901 C TA
Bearing design:	KH
Series / size:	61901
Ball material:	Ceramic
Cage:	TA
Seal:	2RZ optional (with grease)
Precision:	P4+
Main dimensions [d x D x B]:	12 x 24 x 6 mm

## Load data

Static load capacity	$C_{0r}$ : 625 N
Dynamic load capacity	$C_r$ : 1480 N
Fatigue load limit	$C_U$ : 24 N
Speed limit	$n_{grease}$ : 116250 1/min
Speed limit	$n_{oil}$ : 155000 1/min
Light preload	L: 7 N
Axial rigidity	$C_{ax}$ : 14 N/ $\mu$ m
Medium preload	M: 22 N
Axial rigidity	$C_{ax}$ : 21 N/ $\mu$ m
Heavy preload	S: 45 N
Axial rigidity	$C_{ax}$ : 29 N/ $\mu$ m
Spring preload	Ff: 30 N (for $n_{max}$ )

## Geometrical Data

Bore diameter	d: 12 mm	Oiling nozzle position	$d_7$ : 16.3 mm
Outer diameter	D: 24 mm	Pitch circle diameter	$d_m$ : 17.2 mm
Width of single bearing	B: 6 mm	Inner diameter of outer ring	$D_1$ : 19 mm
Ball diameter	$D_w$ : 2.381 mm	Undercut of associated component	$r_{a max}$ : 0.3 mm
Number of balls	Z: 15	Undercut of associated component (open side)	$r_{b max}$ : 0.3 mm
Chamfer (min)	$r_{1,2 min}$ : 0.3 mm	Abutment diameter inner ring	$d_{a,b min}$ : 13.6 mm
Chamfer (min), open side	$r_{3,4 min}$ : 0.3 mm	Abutment diameter outer ring	$D_{a,b max}$ : 22.7 mm
Outer diameter of inner ring	$d_1$ : 15.4 mm	Inner diameter of outer ring (open side)	$D_2$ : 19.6 mm
Outer diameter of inner ring (open side)	$d_2$ : 15.1 mm	Bearing weight	m: 0.011 kg
		Contact angle	Alpha 0: 17°



The given speed limits apply to individual bearings with spring preload. Correction factors must be considered for all properties which deviate from this.