

# Spindle ball bearing HY S 6013 C TA P4+

16.07.2024



## Components

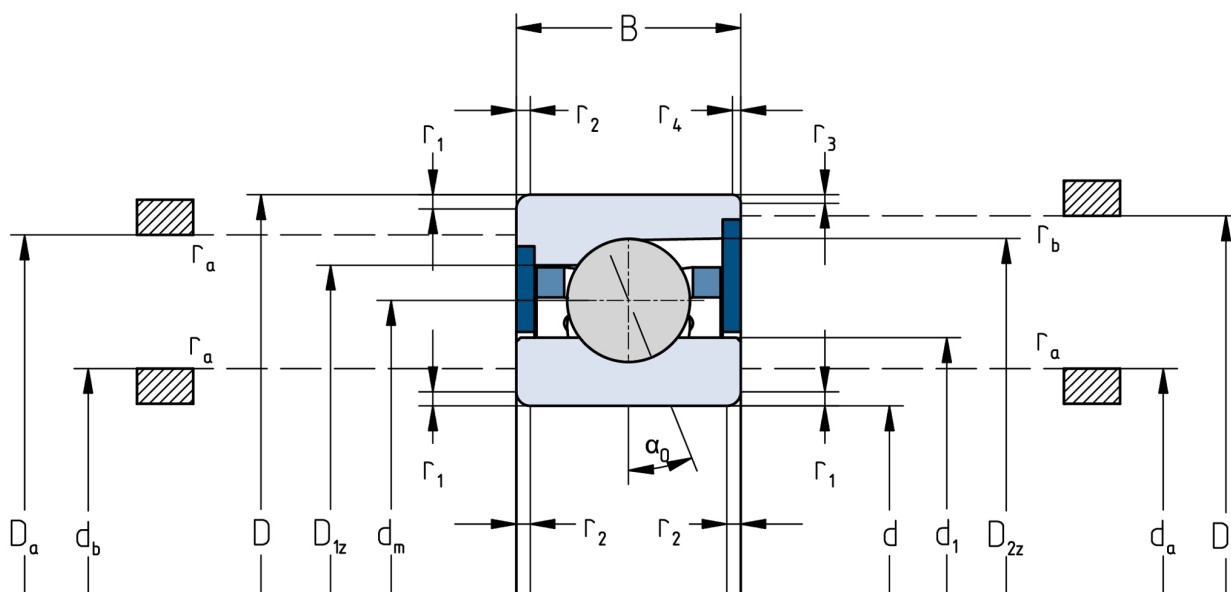
Bearing designation:	HY S 6013 C TA
Bearing design:	S
Series / size:	6013
Ball material:	Ceramic
Cage:	TA
Seal:	2RZ upon request
Precision:	P4+ (UP+ Upon request)
Main dimensions [d x D x B]:	65 x 100 x 18 mm

## Load data

Static load capacity	$C_{0r}$ : 33500 N
Dynamic load capacity	$C_r$ : 34500 N
Fatigue load limit	$C_U$ : 1256 N
Speed limit	$n_{grease}$ : 19500 1/min
Speed limit	$n_{oil}$ : 26000 1/min
Light preload	L: 175 N
Axial rigidity	$C_{ax}$ : 86 N/ $\mu$ m
Medium preload	M: 525 N
Axial rigidity	$C_{ax}$ : 139 N/ $\mu$ m
Heavy preload	S: 1050 N
Axial rigidity	$C_{ax}$ : 195 N/ $\mu$ m
Spring preload	Ff: 1370 N (for $n_{max}$ )

## Geometrical Data

Bore diameter	d: 65 mm	Oiling nozzle position	$d_f$ : 79.9 mm
Outer diameter	D: 100 mm	Pitch circle diameter	$d_m$ : 82.5 mm
Width of single bearing	B: 18 mm	Inner diameter of outer ring	$D_1$ : 88.2 mm
Ball diameter	$D_w$ : 9.525 mm	Undercut of associated component	$r_{a max}$ : 1 mm
Number of balls	Z: 23	Undercut of associated component (open side)	$r_{b max}$ : 1 mm
Chamfer (min)	$r_{1,2 min}$ : 1.1 mm	Abutment diameter inner ring	$d_{a,b min}$ : 71.3 mm
Chamfer (min), open side	$r_{3,4 min}$ : 1 mm	Abutment diameter outer ring	$D_{a,b max}$ : 94.5 mm
Outer diameter of inner ring	$d_1$ : 76.9 mm	Inner diameter of outer ring (open side)	$D_2$ : 92.1 mm
Outer diameter of inner ring (open side)	$d_2$ : -	Bearing weight	m: 0.395 kg
		Contact angle	Alpha 0: 15°



The given speed limits apply to individual bearings with spring preload. Correction factors must be considered for all properties which deviate from this.