

# Spindle ball bearing HY KH 6009 E TA P4+

16.07.2024



## Components

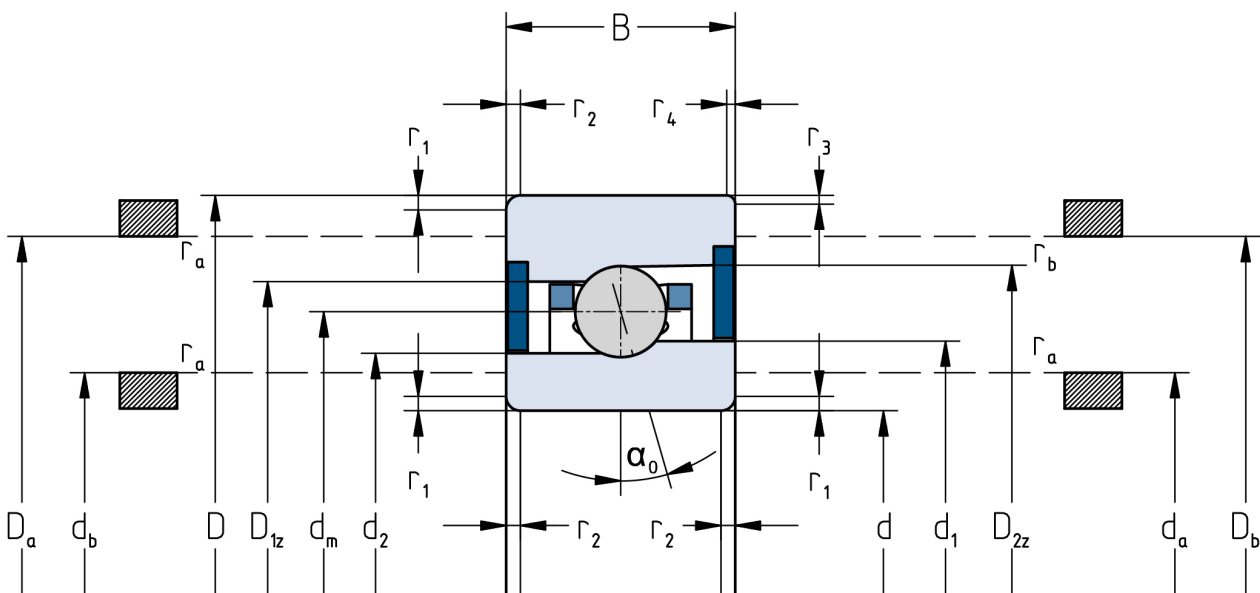
Bearing designation:	HY KH 6009 E TA
Bearing design:	KH
Series / size:	6009
Ball material:	Ceramic
Cage:	TA
Seal:	2RZ optional (with grease)
Precision:	P4+
Main dimensions [d x D x B]:	45 x 75 x 16 mm

## Load data

Static load capacity	$C_{0r}$ : 6450 N
Dynamic load capacity	$C_r$ : 10300 N
Fatigue load limit	$C_U$ : 243 N
Speed limit	$n_{grease}$ : 30000 1/min
Speed limit	$n_{oil}$ : 40000 1/min
Light preload	L: 90 N
Axial rigidity	$C_{ax}$ : 102 N/ $\mu$ m
Medium preload	M: 260 N
Axial rigidity	$C_{ax}$ : 149 N/ $\mu$ m
Heavy preload	S: 520 N
Axial rigidity	$C_{ax}$ : 192 N/ $\mu$ m
Spring preload	Ff: 460 N (for $n_{max}$ )

## Geometrical Data

Bore diameter	d: 45 mm	Oiling nozzle position	$d_f$ : 56.9 mm
Outer diameter	D: 75 mm	Pitch circle diameter	$d_m$ : 58.8 mm
Width of single bearing	B: 16 mm	Inner diameter of outer ring	$D_1$ : 63 mm
Ball diameter	$D_w$ : 6.35 mm	Undercut of associated component	$r_{a max}$ : 1 mm
Number of balls	Z: 22	Undercut of associated component (open side)	$r_{b max}$ : 0.6 mm
Chamfer (min)	$r_{1,2 min}$ : 1 mm	Abutment diameter inner ring	$d_{a,b min}$ : 49.5 mm
Chamfer (min), open side	$r_{3,4 min}$ : 0.6 mm	Abutment diameter outer ring	$D_{a,b max}$ : 71.1 mm
Outer diameter of inner ring	$d_1$ : 54.7 mm	Inner diameter of outer ring (open side)	$D_2$ : 65.3 mm
Outer diameter of inner ring (open side)	$d_2$ : 53 mm	Bearing weight	m: 0.235 kg
		Contact angle	Alpha 0: 25°



The given speed limits apply to individual bearings with spring preload. Correction factors must be considered for all properties which deviate from this.