

Spindle ball bearing S 61913 E TA P4+

16.07.2024



Components

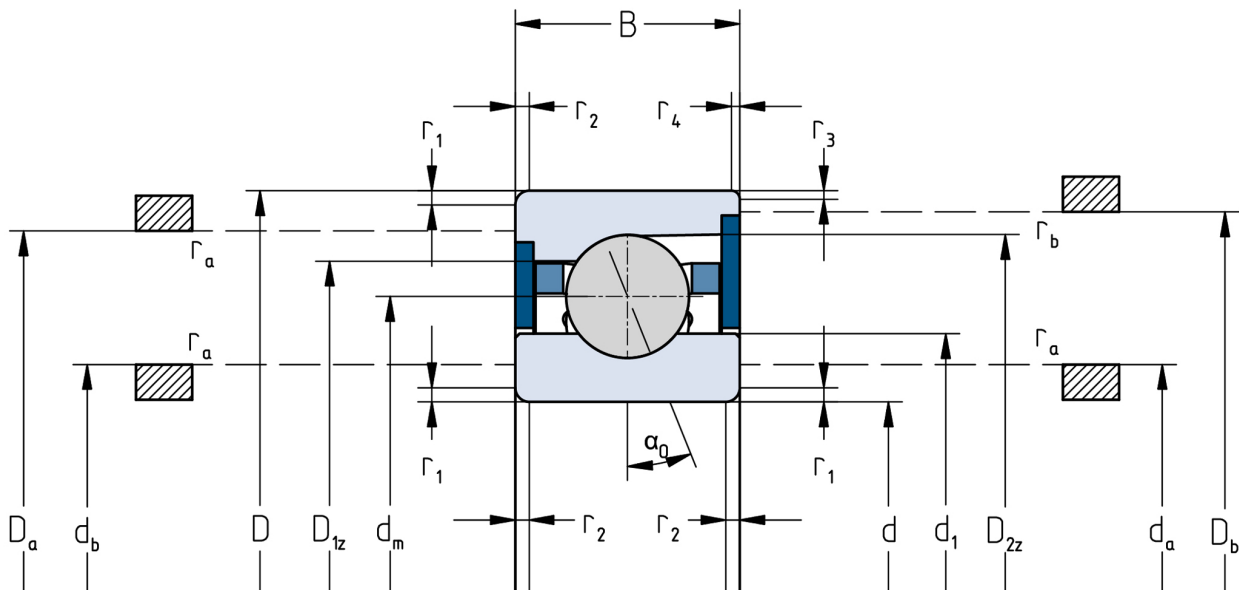
Bearing designation:	S 61913 E TA
Bearing design:	S
Series / size:	61913
Ball material:	Steel 100Cr6
Cage:	TA
Seal:	2RZ upon request
Precision:	P4+
Main dimensions [d x D x B]:	65 x 90 x 13 mm

Load data

Static load capacity	C_{0r} : 19100 N
Dynamic load capacity	C_r : 18300 N
Fatigue load limit	C_U : 990 N
Speed limit	n_{grease} : 13875 1/min
Speed limit	n_{oil} : 18500 1/min
Light preload	L: 160 N
Axial rigidity	C_{ax} : 142 N/ μ m
Medium preload	M: 470 N
Axial rigidity	C_{ax} : 214 N/ μ m
Heavy preload	S: 940 N
Axial rigidity	C_{ax} : 283 N/ μ m
Spring preload	Ff: 1880 N (for n_{max})

Geometrical Data

Bore diameter	d: 65 mm	Oiling nozzle position	d_f : 75.4 mm
Outer diameter	D: 90 mm	Pitch circle diameter	d_m : 77.5 mm
Width of single bearing	B: 13 mm	Inner diameter of outer ring	D_1 : 81.9 mm
Ball diameter	D_w : 7.144 mm	Undercut of associated component	$r_{a max}$: 1 mm
Number of balls	Z: 24	Undercut of associated component (open side)	$r_{b max}$: 0.3 mm
Chamfer (min)	$r_{1,2 min}$: 1 mm	Abutment diameter inner ring	$d_{a,b min}$: 69.9 mm
Chamfer (min), open side	$r_{3,4 min}$: 0.3 mm	Abutment diameter outer ring	$D_{a,b max}$: 85.5 mm
Outer diameter of inner ring	d_1 : 73.1 mm	Inner diameter of outer ring (open side)	D_2 : 84.7 mm
Outer diameter of inner ring (open side)	d_2 : -	Bearing weight	m: 0.2 kg
		Contact angle	Alpha 0: 25°



The given speed limits apply to individual bearings with spring preload. Correction factors must be considered for all properties which deviate from this.