

Spindle ball bearing S 6004 E TA P4+

16.07.2024



Components

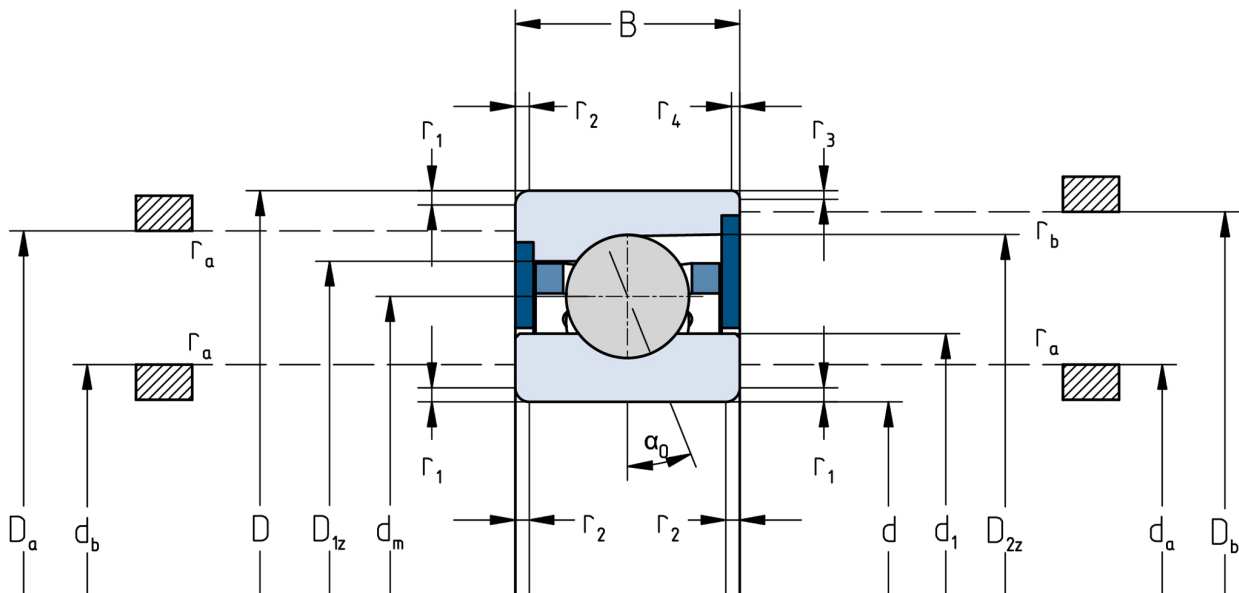
Bearing designation:	S 6004 E TA
Bearing design:	S
Series / size:	6004
Ball material:	Steel 100Cr6
Cage:	TA
Seal:	2RZ optional (with grease)
Precision:	P4+ (UP+ Upon request)
Main dimensions [d x D x B]:	20 x 42 x 12 mm

Load data

Static load capacity	C_{0r} : 7400 N
Dynamic load capacity	C_r : 11700 N
Fatigue load limit	C_U : 383 N
Speed limit	n_{grease} : 35250 1/min
Speed limit	n_{oil} : 47000 1/min
Light preload	L: 100 N
Axial rigidity	C_{ax} : 81 N/ μ m
Medium preload	M: 300 N
Axial rigidity	C_{ax} : 124 N/ μ m
Heavy preload	S: 600 N
Axial rigidity	C_{ax} : 166 N/ μ m
Spring preload	Ff: 730 N (for n_{max})

Geometrical Data

Bore diameter	d: 20 mm	Oiling nozzle position	d_7 : 29 mm
Outer diameter	D: 42 mm	Pitch circle diameter	d_m : 31 mm
Width of single bearing	B: 12 mm	Inner diameter of outer ring	D_1 : 35.5 mm
Ball diameter	D_w : 6.35 mm	Undercut of associated component	$r_{a max}$: 0.6 mm
Number of balls	Z: 13	Undercut of associated component (open side)	$r_{b max}$: 0.3 mm
Chamfer (min)	$r_{1,2 min}$: 0.6 mm	Abutment diameter inner ring	$d_{a,b min}$: 23.8 mm
Chamfer (min), open side	$r_{3,4 min}$: 0.3 mm	Abutment diameter outer ring	$D_{a,b max}$: 39.1 mm
Outer diameter of inner ring	d_1 : 26.6 mm	Inner diameter of outer ring (open side)	D_2 : 37.5 mm
Outer diameter of inner ring (open side)	d_2 : -	Bearing weight	m: 0.065 kg
		Contact angle	Alpha 0: 25°



The given speed limits apply to individual bearings with spring preload. Correction factors must be considered for all properties which deviate from this.