

Spindle ball bearing HY S 6200 E TA P4+

16.07.2024



Components

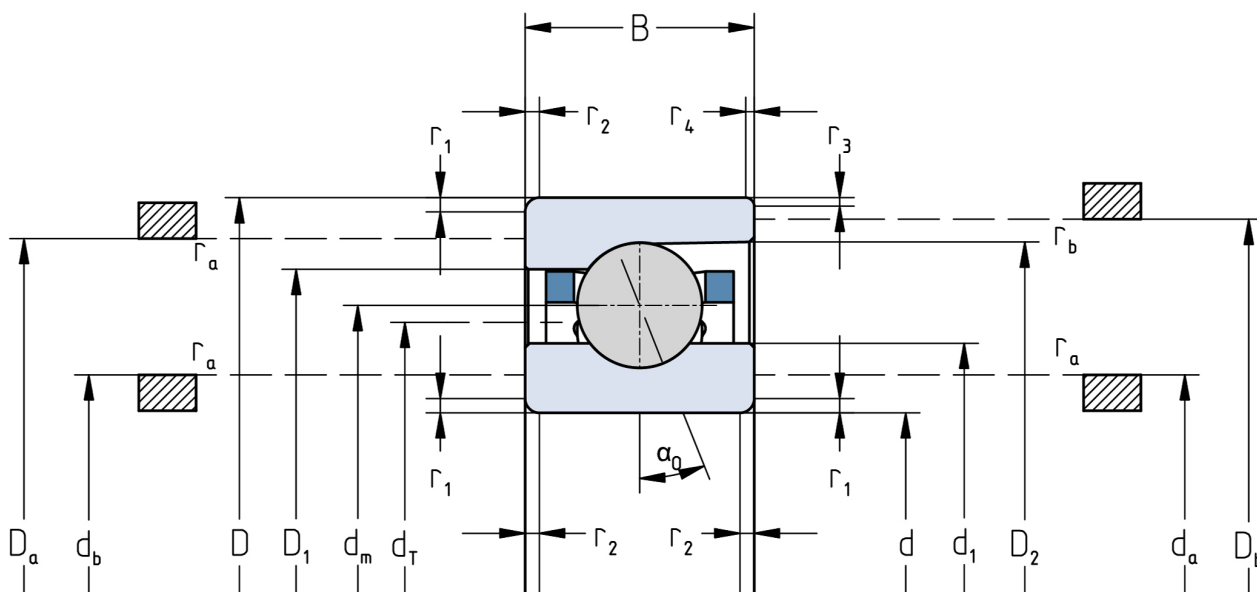
Bearing designation:	HY S 6200 E TA
Bearing design:	S
Series / size:	6200
Ball material:	Ceramic
Cage:	TA
Precision:	P4+ (UP+ Upon request)
Main dimensions [d x D x B]:	10 x 30 x 9 mm

Load data

Static load capacity	C_{0r} : 3500 N
Dynamic load capacity	C_r : 7250 N
Fatigue load limit	C_U : 132 N
Speed limit	n_{grease} : 68250 1/min
Speed limit	n_{oil} : 91000 1/min
Light preload	L: 60 N
Axial rigidity	C_{ax} : 59 N/ μ m
Medium preload	M: 180 N
Axial rigidity	C_{ax} : 89 N/ μ m
Heavy preload	S: 360 N
Axial rigidity	C_{ax} : 119 N/ μ m
Spring preload	Ff: 250 N (for n_{max})

Geometrical Data

Bore diameter	d: 10 mm	Oiling nozzle position	d_T : 18.3 mm
Outer diameter	D: 30 mm	Pitch circle diameter	d_m : 20 mm
Width of single bearing	B: 9 mm	Inner diameter of outer ring	D_1 : 24.5 mm
Ball diameter	D_w : 5.556 mm	Undercut of associated component	$r_{a \max}$: 0.6 mm
Number of balls	Z: 10	Undercut of associated component (open side)	$r_{b \max}$: 0.6 mm
Chamfer (min)	$r_{1,2 \min}$: 0.6 mm	Abutment diameter inner ring	$d_{a,b \min}$: 13.7 mm
Chamfer (min), open side	$r_{3,4 \min}$: 0.6 mm	Abutment diameter outer ring	$D_{a,b \max}$: 27.5 mm
Outer diameter of inner ring	d_1 : 16 mm	Inner diameter of outer ring (open side)	D_2 : 25.7 mm
Outer diameter of inner ring (open side)	d_2 : -	Bearing weight	m: 0.025 kg
		Contact angle	Alpha 0: 25°



The given speed limits apply to individual bearings with spring preload. Correction factors must be considered for all properties which deviate from this.