

Spindle ball bearing KH 61902 E TA P4+

16.07.2024



Components

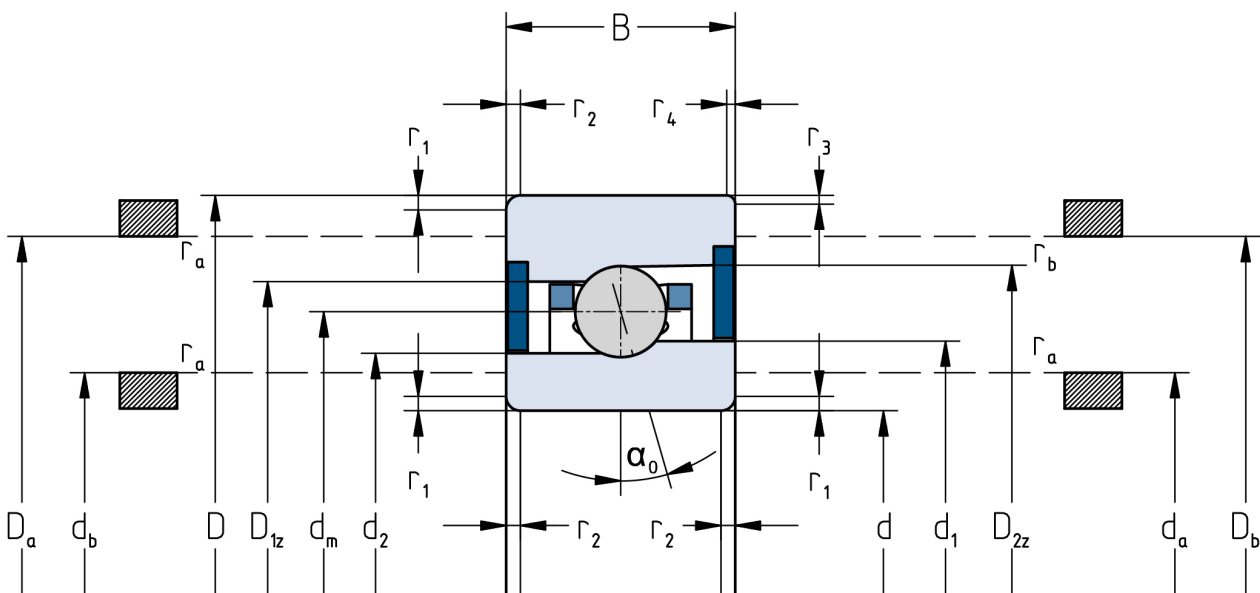
Bearing designation:	KH 61902 E TA
Bearing design:	KH
Series / size:	61902
Ball material:	Steel 100Cr6
Cage:	TA
Seal:	2RZ optional (with grease)
Precision:	P4+
Main dimensions [d x D x B]:	15 x 28 x 7 mm

Load data

Static load capacity	C_{0r} : 910 N
Dynamic load capacity	C_r : 1930 N
Fatigue load limit	C_U : 47 N
Speed limit	n_{grease} : 67500 1/min
Speed limit	n_{oil} : 90000 1/min
Light preload	L: 16 N
Axial rigidity	C_{ax} : 32 N/ μ m
Medium preload	M: 50 N
Axial rigidity	C_{ax} : 48 N/ μ m
Heavy preload	S: 100 N
Axial rigidity	C_{ax} : 62 N/ μ m
Spring preload	Ff: 90 N (for n_{max})

Geometrical Data

Bore diameter	d: 15 mm	Oiling nozzle position	d_7 : 19.9 mm
Outer diameter	D: 28 mm	Pitch circle diameter	d_m : 21 mm
Width of single bearing	B: 7 mm	Inner diameter of outer ring	D_1 : 23.3 mm
Ball diameter	D_w : 2.778 mm	Undercut of associated component	$r_{a max}$: 0.3 mm
Number of balls	Z: 16	Undercut of associated component (open side)	$r_{b max}$: 0.3 mm
Chamfer (min)	$r_{1,2 min}$: 0.3 mm	Abutment diameter inner ring	$d_{a,b min}$: 16.7 mm
Chamfer (min), open side	$r_{3,4 min}$: 0.3 mm	Abutment diameter outer ring	$D_{a,b max}$: 26.6 mm
Outer diameter of inner ring	d_1 : 18.7 mm	Inner diameter of outer ring (open side)	D_2 : 23.9 mm
Outer diameter of inner ring (open side)	d_2 : 18.4 mm	Bearing weight	m: 0.016 kg
		Contact angle	Alpha 0: 25°



The given speed limits apply to individual bearings with spring preload. Correction factors must be considered for all properties which deviate from this.