

Spindle ball bearing HY S 61803 C TA P4+

16.07.2024



Components

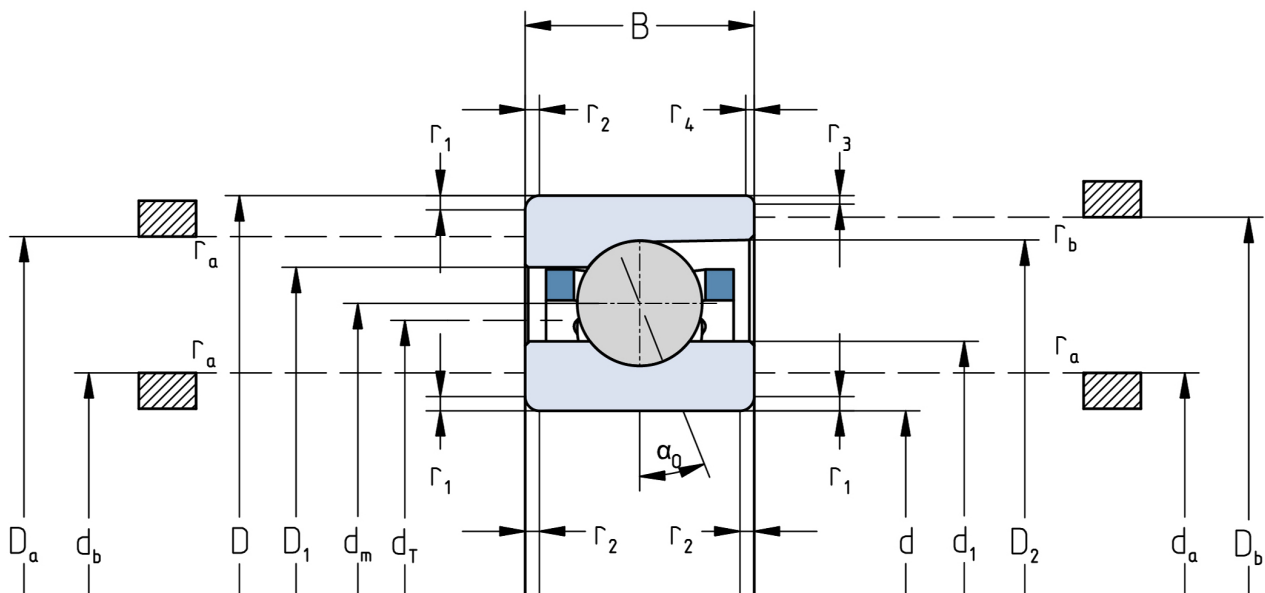
Bearing designation:	HY S 61803 C TA
Bearing design:	S
Series / size:	61803
Ball material:	Ceramic
Cage:	TA
Precision:	P4+
Main dimensions [d x D x B]:	17 x 26 x 5 mm

Load data

Static load capacity	C_{0r} : 1260 N
Dynamic load capacity	C_r : 2000 N
Fatigue load limit	C_U : 48 N
Speed limit	n_{grease} : 74250 1/min
Speed limit	n_{oil} : 99000 1/min
Light preload	L: 10 N
Axial rigidity	C_{ax} : 15 N/ μ m
Medium preload	M: 30 N
Axial rigidity	C_{ax} : 24 N/ μ m
Heavy preload	S: 60 N
Axial rigidity	C_{ax} : 33 N/ μ m
Spring preload	Ff: 50 N (for n_{max})

Geometrical Data

Bore diameter	d: 17 mm	Oiling nozzle position	d_T : 20.6 mm
Outer diameter	D: 26 mm	Pitch circle diameter	d_m : 21.5 mm
Width of single bearing	B: 5 mm	Inner diameter of outer ring	D_1 : 23.2 mm
Ball diameter	D_w : 2.381 mm	Undercut of associated component	$r_{a max}$: 0.3 mm
Number of balls	Z: 19	Undercut of associated component (open side)	$r_{b max}$: 0.2 mm
Chamfer (min)	$r_{1,2 min}$: 0.3 mm	Abutment diameter inner ring	$d_{a,b min}$: 18.6 mm
Chamfer (min), open side	$r_{3,4 min}$: 0.2 mm	Abutment diameter outer ring	$D_{a,b max}$: 24.6 mm
Outer diameter of inner ring	d_1 : 19.8 mm	Inner diameter of outer ring (open side)	D_2 : 23.9 mm
Outer diameter of inner ring (open side)	d_2 : -	Bearing weight	m: 0.007 kg
		Contact angle	Alpha 0: 15°



The given speed limits apply to individual bearings with spring preload. Correction factors must be considered for all properties which deviate from this.