

# Spindle ball bearing HY S 6209 C TXM P4+

16.07.2024



## Components

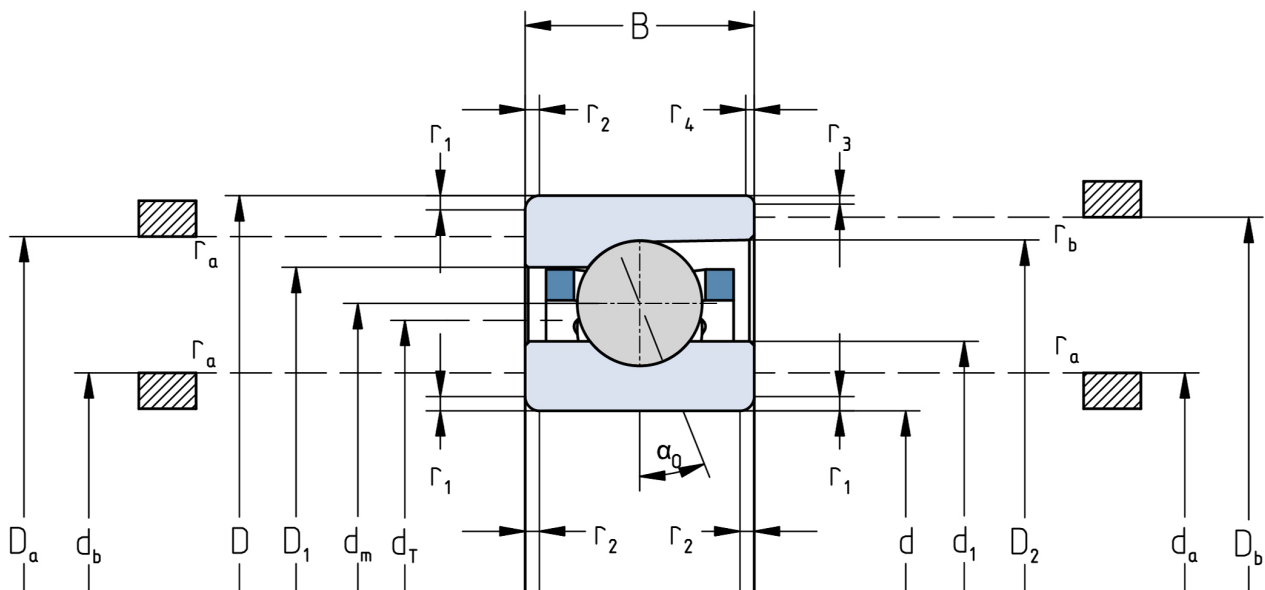
|                              |                        |
|------------------------------|------------------------|
| Bearing designation:         | HY S 6209 C TXM        |
| Bearing design:              | S                      |
| Series / size:               | 6209                   |
| Ball material:               | Ceramic                |
| Cage:                        | TXM                    |
| Precision:                   | P4+ (UP+ Upon request) |
| Main dimensions [d x D x B]: | 45 x 85 x 19 mm        |

## Load data

|                       |                             |
|-----------------------|-----------------------------|
| Static load capacity  | $C_{0r}$ : 32500 N          |
| Dynamic load capacity | $C_r$ : 45500 N             |
| Fatigue load limit    | $C_U$ : 1227 N              |
| Speed limit           | $n_{grease}$ : 24750 1/min  |
| Speed limit           | $n_{oil}$ : 33000 1/min     |
| Light preload         | L: 230 N                    |
| Axial rigidity        | $C_{ax}$ : 78 N/ $\mu$ m    |
| Medium preload        | M: 700 N                    |
| Axial rigidity        | $C_{ax}$ : 129 N/ $\mu$ m   |
| Heavy preload         | S: 1400 N                   |
| Axial rigidity        | $C_{ax}$ : 183 N/ $\mu$ m   |
| Spring preload        | Ff: 1340 N (for $n_{max}$ ) |

## Geometrical Data

|  |                         |  |                          |
|--|-------------------------|--|--------------------------|
| Bore diameter                            | d: 45 mm                | Oiling nozzle position                       | $d_T$ : 61.7 mm          |
| Outer diameter                           | D: 85 mm                | Pitch circle diameter                        | $d_m$ : 65 mm            |
| Width of single bearing                  | B: 19 mm                | Inner diameter of outer ring                 | $D_1$ : 72.5 mm          |
| Ball diameter                            | $D_w$ : 12.7 mm         | Undercut of associated component             | $r_{a \max}$ : 1 mm      |
| Number of balls                          | Z: 14                   | Undercut of associated component (open side) | $r_{b \max}$ : 0.6 mm    |
| Chamfer (min)                            | $r_{1,2 \min}$ : 1.1 mm | Abutment diameter inner ring                 | $d_{a,b \min}$ : 52.5 mm |
| Chamfer (min), open side                 | $r_{3,4 \min}$ : 0.6 mm | Abutment diameter outer ring                 | $D_{a,b \max}$ : 79.2 mm |
| Outer diameter of inner ring             | $d_1$ : 57.4 mm         | Inner diameter of outer ring (open side)     | $D_2$ : 77.9 mm          |
| Outer diameter of inner ring (open side) | $d_2$ : -               | Bearing weight                               | m: 0.345 kg              |
|  |                         | Contact angle                                | Alpha 0: 15°             |



The given speed limits apply to individual bearings with spring preload. Correction factors must be considered for all properties which deviate from this.