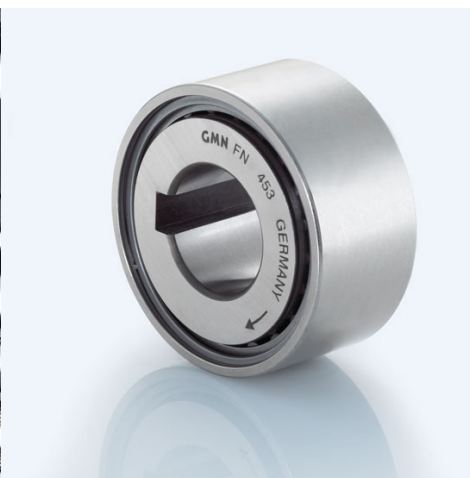


Complete Freewheel Clutch Unit FN 470 Z



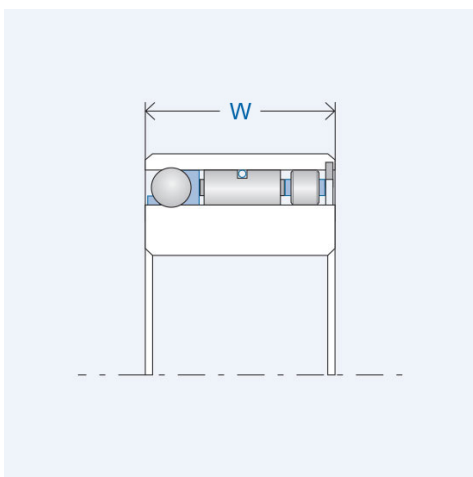
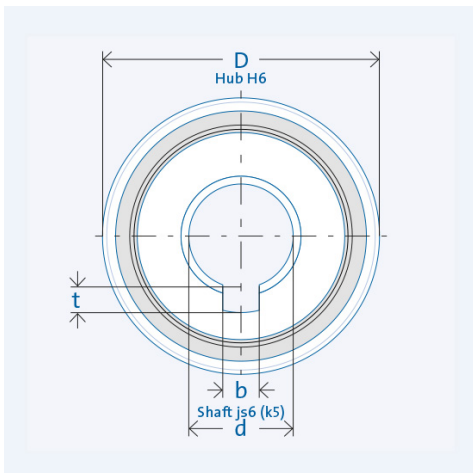
Item number 300733

Components

| | |
|-------------------------|------------------------------------|
| Freewheel clutch | Insert Element FE 400 Z |
| · Rings | Bearing steel, hardened and ground |
| Inner ring | Keyway per DIN 6885, Sheet 1 |
| | Tolerance: P9 with back clearance |
| Outer ring | Press fit |
| · Ball bearings | integrated |
| · Roller bearing | RL 400 |

Key values

| | |
|----------------------------|------------|
| Ø Shaft d: | 40 mm |
| Ø Hub D: | 75 mm |
| Installed width W: | 27 mm |
| Torque T_{nom} : | 509 Nm |
| Number of sprags: | 68 |
| Speed n_{max} : | 2600 rpm |
| Weight: | 0.546 kg |
| Load capacity C_{dyn} : | 14050 N |
| Load capacity C_{stat} : | 19840 N |
| Keyway width b: | 12 mm |
| Keyway depth t: | 3,3 mm |
| Operating temperature: | max. 140°C |



Lubrication

Oil or grease lubrication

Delivered with corrosion protection.
Operative grease filling on request.

Installation

Installation tolerances

Shaft js6 (k5); hub H6

Mating parts

Hardening and grinding of the mating parts is not necessary.
Thoroughly clean (grease free) the mating parts in the vicinity of the freewheel clutch as well as the freewheel clutch's rings before making the press fit.

Bearing

The freewheel clutch includes ball and roller bearings.
Additional external bearing support is not necessary.

Press fit pressure

Press fit pressure must not be applied to the balls.

Clamping direction

The arrow on the inner ring designates the inner ring's clamping direction.