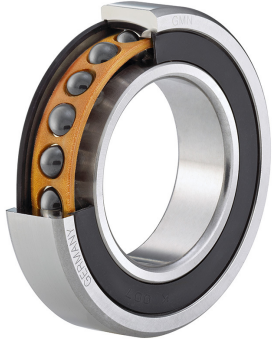


Spindle ball bearing HY KH 6001 E TA P4+

16.07.2024



Components

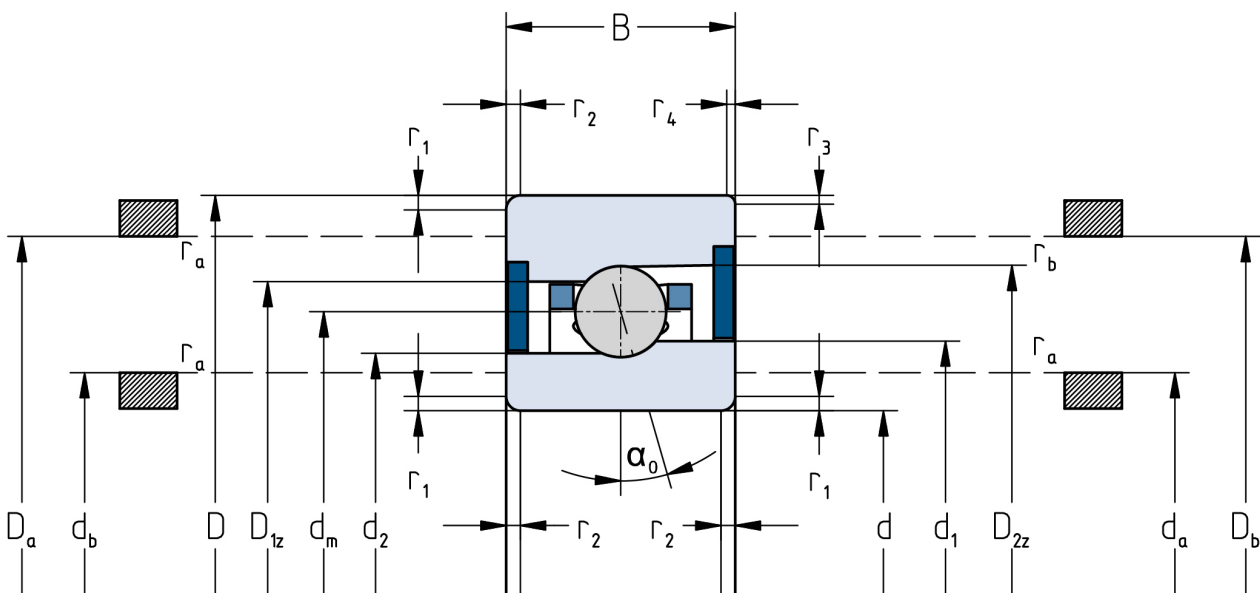
Bearing designation:	HY KH 6001 E TA
Bearing design:	KH
Series / size:	6001
Ball material:	Ceramic
Cage:	TA
Seal:	2RZ optional (with grease)
Precision:	P4+
Main dimensions [d x D x B]:	12 x 28 x 8 mm

Load data

Static load capacity	C_{0r} : 890 N
Dynamic load capacity	C_r : 2180 N
Fatigue load limit	C_U : 34 N
Speed limit	n_{grease} : 93750 1/min
Speed limit	n_{oil} : 125000 1/min
Light preload	L: 18 N
Axial rigidity	C_{ax} : 33 N/ μ m
Medium preload	M: 55 N
Axial rigidity	C_{ax} : 50 N/ μ m
Heavy preload	S: 110 N
Axial rigidity	C_{ax} : 65 N/ μ m
Spring preload	Ff: 65 N (for n_{max})

Geometrical Data

Bore diameter	d: 12 mm	Oiling nozzle position	d_7 : 18 mm
Outer diameter	D: 28 mm	Pitch circle diameter	d_m : 19 mm
Width of single bearing	B: 8 mm	Inner diameter of outer ring	D_1 : 21.5 mm
Ball diameter	D_w : 3.175 mm	Undercut of associated component	$r_{a max}$: 0.3 mm
Number of balls	Z: 13	Undercut of associated component (open side)	$r_{b max}$: 0.3 mm
Chamfer (min)	$r_{1,2 min}$: 0.3 mm	Abutment diameter inner ring	$d_{a,b min}$: 13.9 mm
Chamfer (min), open side	$r_{3,4 min}$: 0.3 mm	Abutment diameter outer ring	$D_{a,b max}$: 26.6 mm
Outer diameter of inner ring	d_1 : 16.7 mm	Inner diameter of outer ring (open side)	D_2 : 22.3 mm
Outer diameter of inner ring (open side)	d_2 : 16.2 mm	Bearing weight	m: 0.021 kg
		Contact angle	Alpha 0: 25°



The given speed limits apply to individual bearings with spring preload. Correction factors must be considered for all properties which deviate from this.