

Spindle ball bearing HY KH 61903 E TA P4+

16.07.2024



Components

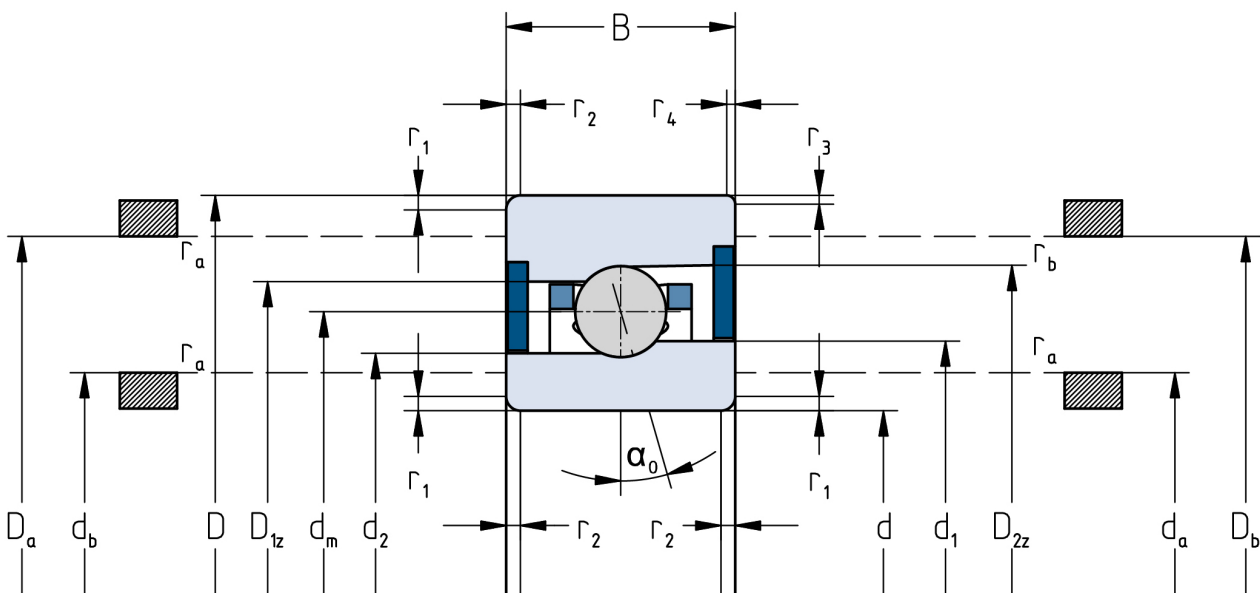
Bearing designation:	HY KH 61903 E TA
Bearing design:	KH
Series / size:	61903
Ball material:	Ceramic
Cage:	TA
Seal:	2RZ optional (with grease)
Precision:	P4+
Main dimensions [d x D x B]:	17 x 30 x 7 mm

Load data

Static load capacity	C_{0r} : 990 N
Dynamic load capacity	C_r : 2060 N
Fatigue load limit	C_U : 38 N
Speed limit	n_{grease} : 75000 1/min
Speed limit	n_{oil} : 100000 1/min
Light preload	L: 17 N
Axial rigidity	C_{ax} : 39 N/ μ m
Medium preload	M: 50 N
Axial rigidity	C_{ax} : 57 N/ μ m
Heavy preload	S: 100 N
Axial rigidity	C_{ax} : 74 N/ μ m
Spring preload	Ff: 70 N (for n_{max})

Geometrical Data

Bore diameter	d: 17 mm	Oiling nozzle position	d_f : 22.2 mm
Outer diameter	D: 30 mm	Pitch circle diameter	d_m : 23.3 mm
Width of single bearing	B: 7 mm	Inner diameter of outer ring	D_1 : 25.6 mm
Ball diameter	D_w : 2.778 mm	Undercut of associated component	$r_{a max}$: 0.3 mm
Number of balls	Z: 18	Undercut of associated component (open side)	$r_{b max}$: 0.3 mm
Chamfer (min)	$r_{1,2 min}$: 0.3 mm	Abutment diameter inner ring	$d_{a,b min}$: 18.7 mm
Chamfer (min), open side	$r_{3,4 min}$: 0.3 mm	Abutment diameter outer ring	$D_{a,b max}$: 28.6 mm
Outer diameter of inner ring	d_1 : 21 mm	Inner diameter of outer ring (open side)	D_2 : 26.2 mm
Outer diameter of inner ring (open side)	d_2 : 20.7 mm	Bearing weight	m: 0.017 kg
		Contact angle	Alpha 0: 25°



The given speed limits apply to individual bearings with spring preload. Correction factors must be considered for all properties which deviate from this.