

Spindle ball bearing HY SM 6015 C TA P4+

16.07.2024



Components

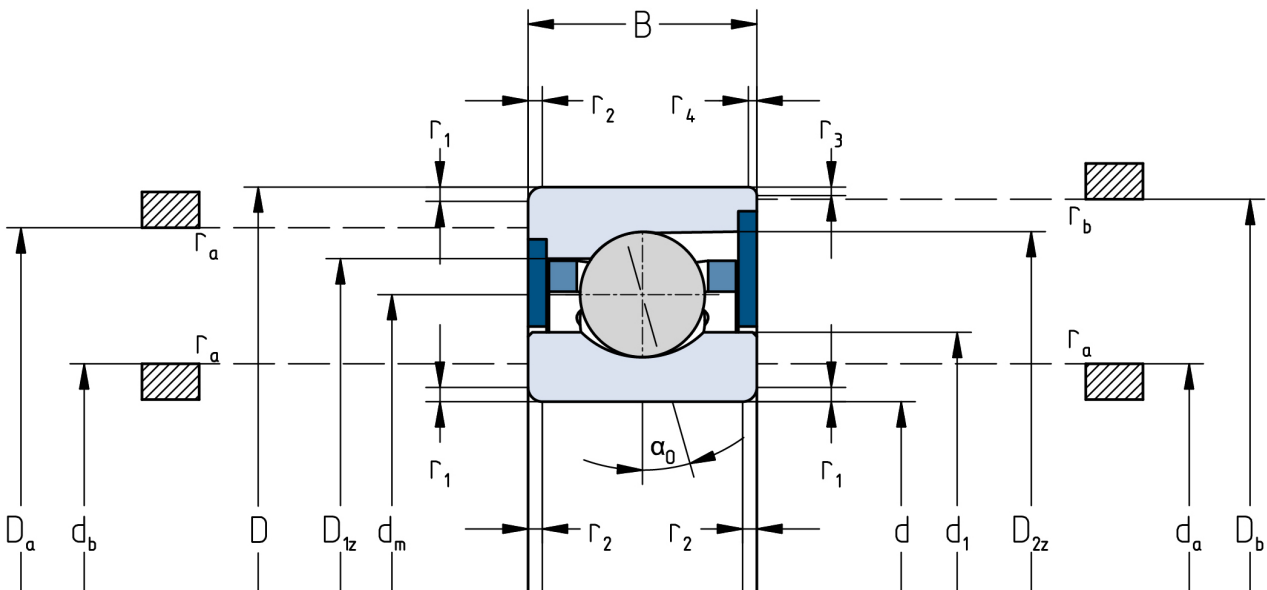
Bearing designation:	HY SM 6015 C TA
Bearing design:	SM
Series / size:	6015
Ball material:	Ceramic
Cage:	TA
Seal:	2RZ upon request
Precision:	P4+
Main dimensions [d x D x B]:	75 x 115 x 20 mm

Load data

Static load capacity	C_{0r} : 26000 N
Dynamic load capacity	C_r : 36000 N
Fatigue load limit	C_U : 972 N
Speed limit	n_{grease} : 19875 1/min
Speed limit	n_{oil} : 26500 1/min
Light preload	L: 180 N
Axial rigidity	C_{ax} : 90 N/ μ m
Medium preload	M: 550 N
Axial rigidity	C_{ax} : 137 N/ μ m
Heavy preload	S: 1100 N
Axial rigidity	C_{ax} : 182 N/ μ m
Spring preload	Ff: 1210 N (for n_{max})

Geometrical Data

Bore diameter	d: 75 mm	Oiling nozzle position	d_f : 91.6 mm
Outer diameter	D: 115 mm	Pitch circle diameter	d_m : 95 mm
Width of single bearing	B: 20 mm	Inner diameter of outer ring	D_1 : 102.2 mm
Ball diameter	D_w : 11.906 mm	Undercut of associated component	$r_{a max}$: 1 mm
Number of balls	Z: 22	Undercut of associated component (open side)	$r_{b max}$: 0.6 mm
Chamfer (min)	$r_{1,2 min}$: 1.1 mm	Abutment diameter inner ring	$d_{a,b min}$: 82.3 mm
Chamfer (min), open side	$r_{3,4 min}$: 0.6 mm	Abutment diameter outer ring	$D_{a,b max}$: 108.9 mm
Outer diameter of inner ring	d_1 : 87.8 mm	Inner diameter of outer ring (open side)	D_2 : 107.1 mm
Outer diameter of inner ring (open side)	d_2 : -	Bearing weight	m: 0.55 kg
		Contact angle	Alpha 0: 17°



The given speed limits apply to individual bearings with spring preload. Correction factors must be considered for all properties which deviate from this.