

# Spindle ball bearing S 606 C TA P4+

16.07.2024



## Components

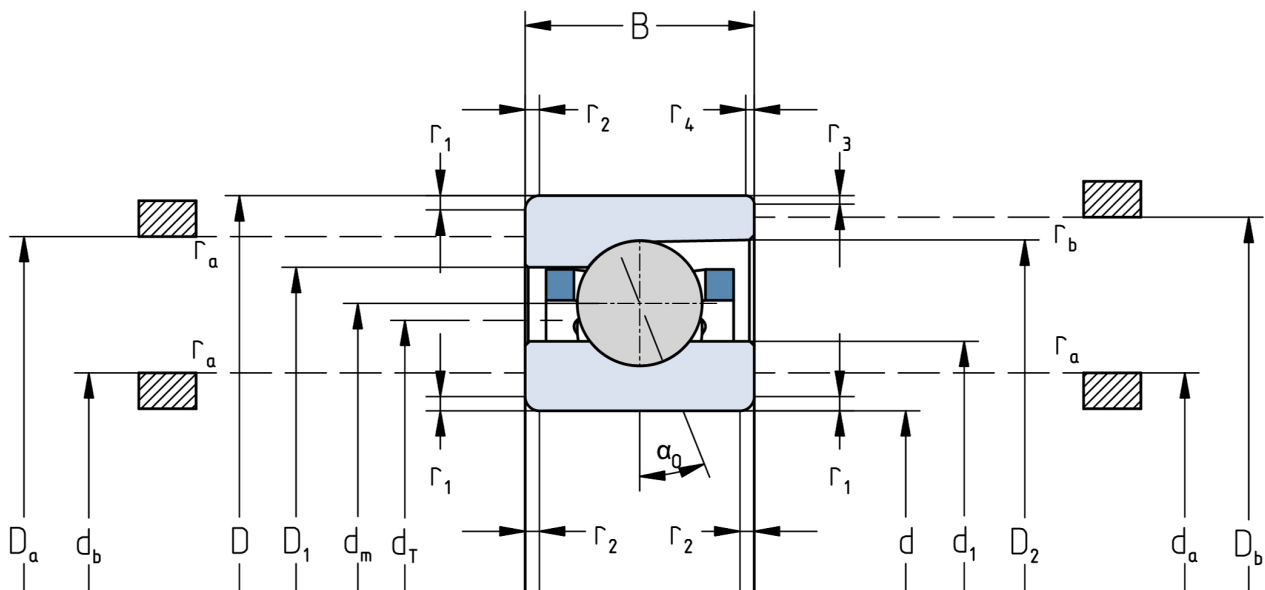
Bearing designation:	S 606 C TA
Bearing design:	S
Series / size:	606
Ball material:	Steel 100Cr6
Cage:	TA
Precision:	P4+ (UP+ Upon request)
Main dimensions [d x D x B]:	6 x 17 x 6 mm

## Load data

Static load capacity	$C_{0r}$ : 665 N
Dynamic load capacity	$C_r$ : 1540 N
Fatigue load limit	$C_U$ : 35 N
Speed limit	$n_{grease}$ : 127500 1/min
Speed limit	$n_{oil}$ : 170000 1/min
Light preload	L: 8 N
Axial rigidity	$C_{ax}$ : 9 N/ $\mu$ m
Medium preload	M: 25 N
Axial rigidity	$C_{ax}$ : 16 N/ $\mu$ m
Heavy preload	S: 45 N
Axial rigidity	$C_{ax}$ : 21 N/ $\mu$ m
Spring preload	Ff: 40 N (for $n_{max}$ )

## Geometrical Data

Bore diameter	d: 6 mm	Oiling nozzle position	$d_T$ : 9.2 mm
Outer diameter	D: 17 mm	Pitch circle diameter	$d_m$ : 10 mm
Width of single bearing	B: 6 mm	Inner diameter of outer ring	$D_1$ : 11.7 mm
Ball diameter	$D_w$ : 2.381 mm	Undercut of associated component	$r_{a \max}$ : 0.3 mm
Number of balls	Z: 9	Undercut of associated component (open side)	$r_{b \max}$ : 0.3 mm
Chamfer (min)	$r_{1,2 \min}$ : 0.3 mm	Abutment diameter inner ring	$d_{a,b \min}$ : 7.5 mm
Chamfer (min), open side	$r_{3,4 \min}$ : 0.3 mm	Abutment diameter outer ring	$D_{a,b \max}$ : 15.8 mm
Outer diameter of inner ring	$d_1$ : 8.3 mm	Inner diameter of outer ring (open side)	$D_2$ : 12.5 mm
Outer diameter of inner ring (open side)	$d_2$ : -	Bearing weight	m: 0.007 kg
		Contact angle	Alpha 0: 15°



The given speed limits apply to individual bearings with spring preload. Correction factors must be considered for all properties which deviate from this.