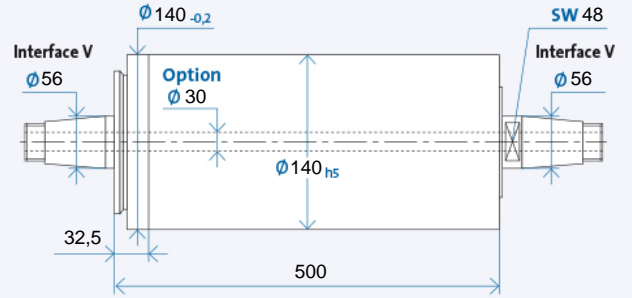


# TSAV 140 x 500



## Technical data



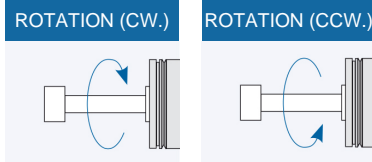
Spindle shaft bore is optional

### Maximum speed $n_{\text{max}}$ [ $\text{min}^{-1}$ ]\* for bearing types:

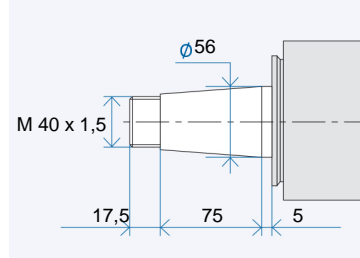
Standard	3500
Modified (optional)	6000

\* without tool

Ordering information: TSAV 140 x 500 R is for clockwise, L for counter-clockwise

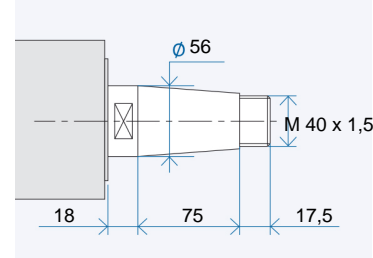


### Tool interface



Tool interface: fitting bores with flat contact face acc. to GMN precision standards

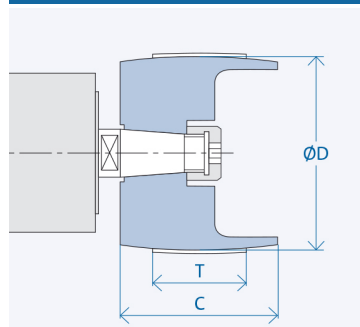
### Pulley interface



Pulley interface: taper 1 : 7,5 nominal value, included angle acc. to GMN precision standards

## Accessories

### Pulleys



Interface	Dimensions [mm]		
	D	C	T
V 56	120	100	80
	210	100	80

Ordering information pulley: VX<sub>1</sub>-X<sub>2</sub>  
 X<sub>1</sub>: Interface: 12/15/...  
 X<sub>2</sub>: Figure from column D  
 Puller for pulley: VX<sub>1</sub>/...

### Anti-rotation slot

Option from TSAV 50 up to TSAV 80  
 Standard from TSAV 100

The lock pin is not included in the scope of delivery and must be ordered separately.

### Optional equipment (on request)

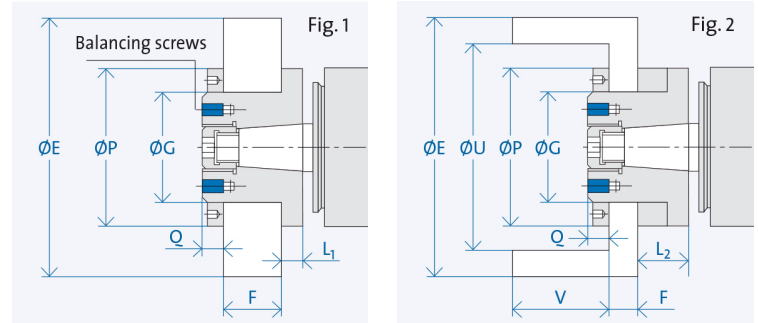
- Balancing systems (manual or automatic)
- Special seal
- Housing design

# TSAV 140 x 500



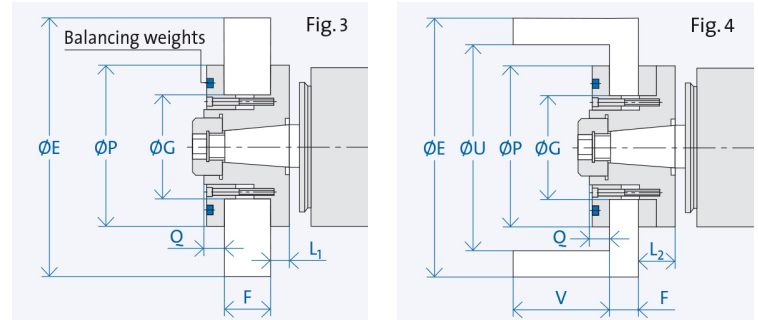
## Accessories

### TSAV Grinding wheel flanges MS



Interface	Dimensions [mm]				Grinding wheel [mm]					Speed [min <sup>-1</sup> ] at v <sub>c</sub> =35 m/s <sup>2)</sup>
	P	Q	L <sub>1</sub>	L <sub>2</sub>	E	G	F	U	V	
V56 Fig. 1	140	14	18	-	250	76	46 - 60	-	-	2600

### TSAV Grinding wheel flanges SN



Interface	Dimensions [mm]				Grinding wheel [mm]					Speed [min <sup>-1</sup> ] at v <sub>c</sub> =35 m/s <sup>2)</sup>
	P	Q	L <sub>1</sub>	L <sub>2</sub>	E	G	F	U	V	
V56 Fig. 3	180	18	18	-	450	127	32 - 60	-	-	1400
V56 Fig. 4	180	18	18	46	450	127	14 - 32	260	118	1400

<sup>2)</sup> Attention! Wheel selection must be in accordance with the manufacturer's recommendation for maximum speed.

Ordering information flange: V X<sub>1</sub>/X<sub>2</sub>/X<sub>3</sub>/X<sub>4</sub>

X<sub>1</sub>: Interface: 12/15/...

X<sub>2</sub>: MS = Flange style MS

SN = Flange style SN

X<sub>3</sub>: G = Straight grinding wheel

T = Cup grinding wheel

X<sub>4</sub>: K = Corundum grinding wheel, Ø G<sub>17</sub>

D = Diamond or CBN grinding wheel, Ø G<sub>n4</sub>

Puller for flange: V X<sub>1</sub>/X<sub>2</sub>

Balancing quill for flange: V X<sub>1</sub>

### Anti-rotation slot

TSAV 50 up to TSAV 80:

Option: Flange style MS

From TSAV 100:

Standard: Flange style SN

The lock pin is not included in the scope of delivery and must be ordered separately.