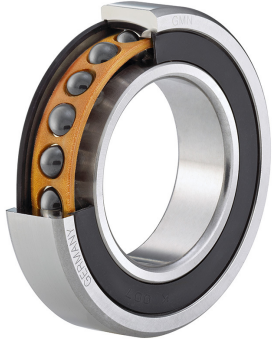


Spindle ball bearing HY KH 6009 C TXM P4+

16.07.2024



Components

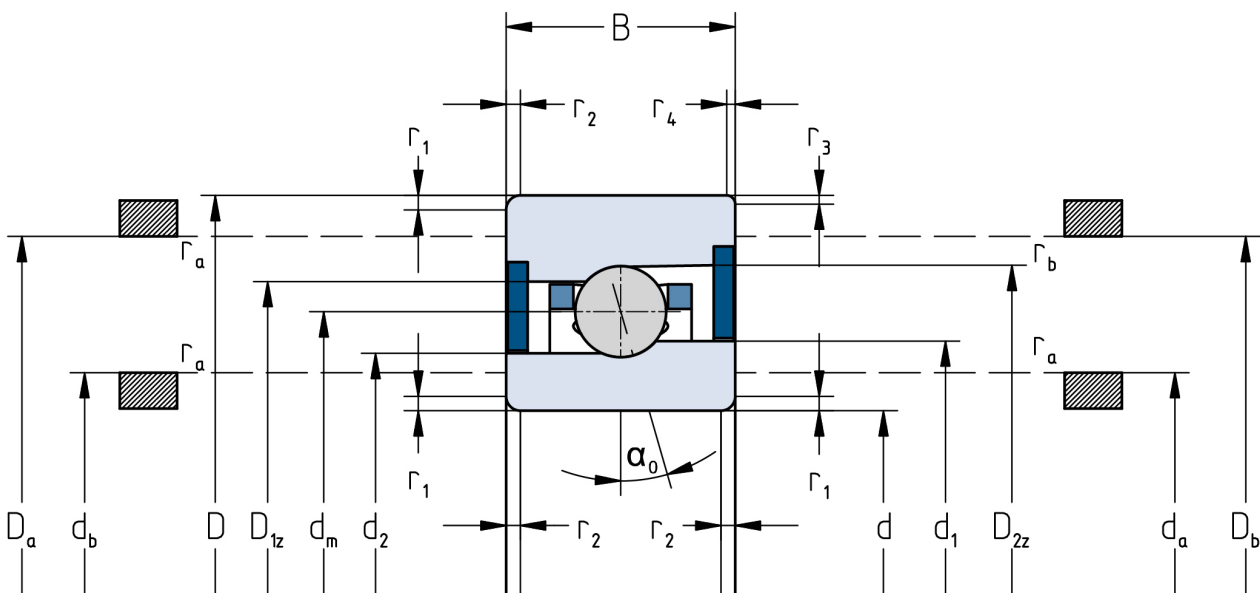
Bearing designation:	HY KH 6009 C TXM
Bearing design:	KH
Series / size:	6009
Ball material:	Ceramic
Cage:	TXM
Seal:	2RZ optional (with grease)
Precision:	P4+
Main dimensions [d x D x B]:	45 x 75 x 16 mm

Load data

Static load capacity	C_{0r} : 6750 N
Dynamic load capacity	C_r : 10800 N
Fatigue load limit	C_U : 255 N
Speed limit	n_{grease} : 33750 1/min
Speed limit	n_{oil} : 45000 1/min
Light preload	L: 55 N
Axial rigidity	C_{ax} : 48 N/ μ m
Medium preload	M: 160 N
Axial rigidity	C_{ax} : 72 N/ μ m
Heavy preload	S: 320 N
Axial rigidity	C_{ax} : 96 N/ μ m
Spring preload	Ff: 320 N (for n_{max})

Geometrical Data

Bore diameter	d: 45 mm	Oiling nozzle position	d_7 : 56.9 mm
Outer diameter	D: 75 mm	Pitch circle diameter	d_m : 58.8 mm
Width of single bearing	B: 16 mm	Inner diameter of outer ring	D_1 : 63 mm
Ball diameter	D_w : 6.35 mm	Undercut of associated component	$r_{a max}$: 1 mm
Number of balls	Z: 22	Undercut of associated component (open side)	$r_{b max}$: 0.6 mm
Chamfer (min)	$r_{1,2 min}$: 1 mm	Abutment diameter inner ring	$d_{a,b min}$: 49.5 mm
Chamfer (min), open side	$r_{3,4 min}$: 0.6 mm	Abutment diameter outer ring	$D_{a,b max}$: 71.1 mm
Outer diameter of inner ring	d_1 : 54.7 mm	Inner diameter of outer ring (open side)	D_2 : 65.3 mm
Outer diameter of inner ring (open side)	d_2 : 53 mm	Bearing weight	m: 0.235 kg
		Contact angle	Alpha 0: 17°



The given speed limits apply to individual bearings with spring preload. Correction factors must be considered for all properties which deviate from this.