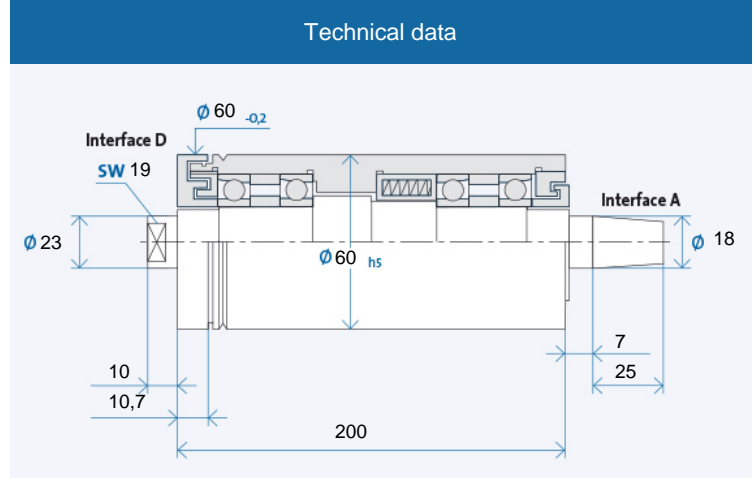


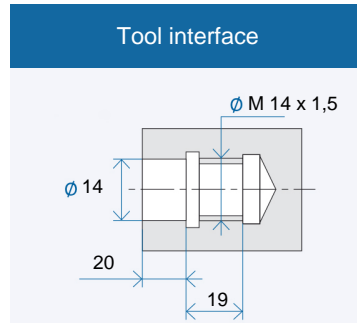
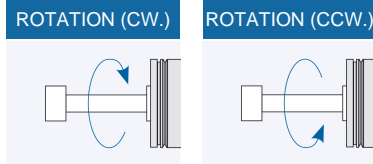
# TSP 60 x 200



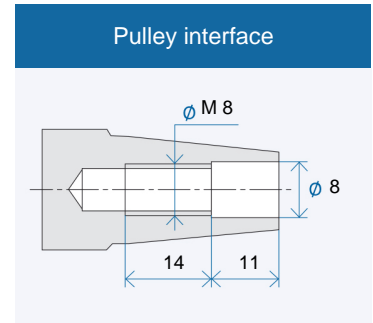
Maximum speed $n_{max}$ [min <sup>-1</sup> ]* for bearing types:	
Steel (steel)	30000
Hybrid (optional)	35000

\* without tool

Ordering information: TSP 60 x 200 R is for clockwise, L for counter-clockwise

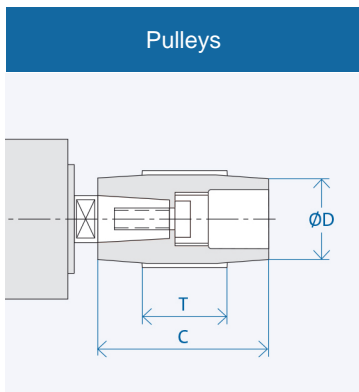


Tool interface: fitting bores with flat contact face acc. to GMN precision standards



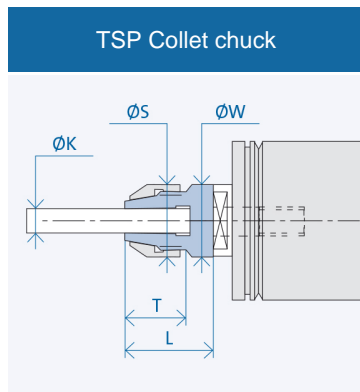
Pulley interface: taper 1 : 7,5 nominal value, included angle acc. to GMN precision standards

## Accessories



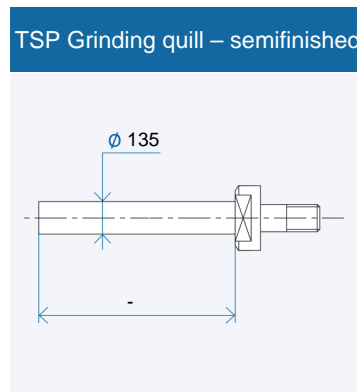
Interface	Dimensions [mm]		
	D	C	T
A 18	25	60	40
	32	60	40
	40	60	40
	100	60	40

Ordering information pulley: AX<sub>1</sub>-X<sub>2</sub>  
 X<sub>1</sub>: Interface: 10/13/...  
 X<sub>2</sub>: Figure from column D  
 Puller for pulley: AX<sub>1</sub>/...



Interface	Dimensions [mm]				
	K	T	L	S	W
D 14/23	6	20	30	23	23

Ordering information collet chuck: D 14/23/(K)  
 (K) = Clamping diameter



Ordering information semifinished: DX<sub>1</sub>/X<sub>2</sub>  
 X<sub>1</sub>/X<sub>2</sub>: Interface 08/14/...