

Spindle ball bearing S 6013 C TXM P4+

16.07.2024



Components

Bearing designation:	S 6013 C TXM
Bearing design:	S
Series / size:	6013
Ball material:	Steel 100Cr6
Cage:	TXM
Precision:	P4+ (UP+ Upon request)

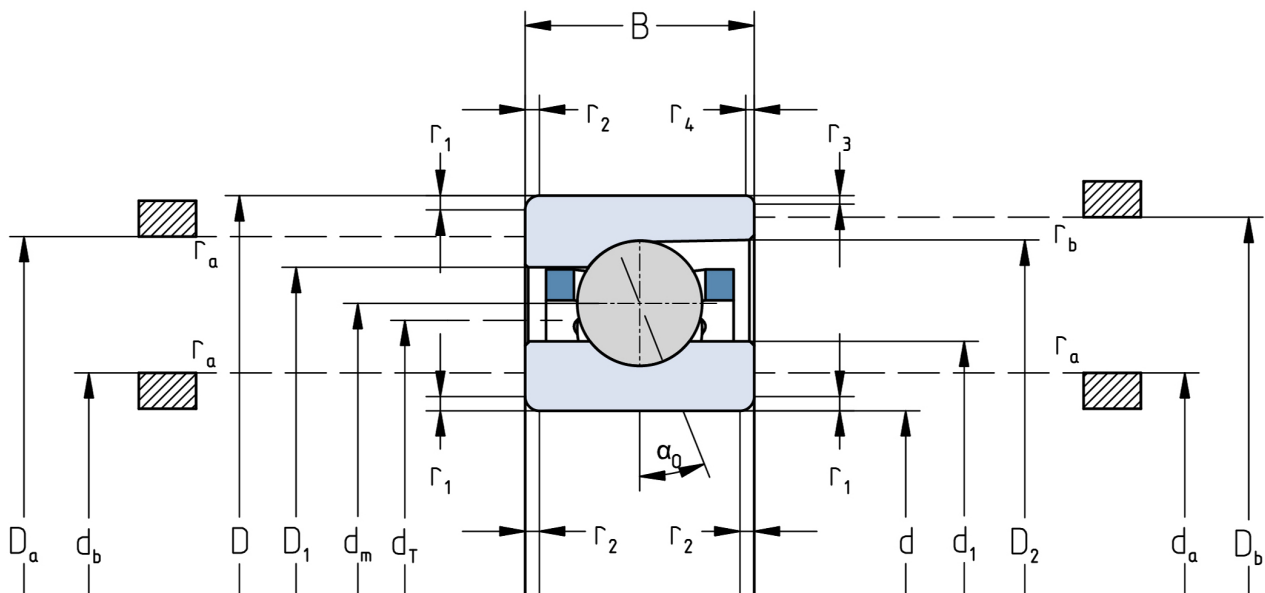
Main dimensions [d x D x B]: 65 x 100 x 18 mm

Load data

Static load capacity	C_{0r} : 35000 N
Dynamic load capacity	C_r : 34500 N
Fatigue load limit	C_U : 1801 N
Speed limit	n_{grease} : 15375 1/min
Speed limit	n_{oil} : 20500 1/min
Light preload	L: 175 N
Axial rigidity	C_{ax} : 78 N/ μ m
Medium preload	M: 525 N
Axial rigidity	C_{ax} : 128 N/ μ m
Heavy preload	S: 1050 N
Axial rigidity	C_{ax} : 181 N/ μ m
Spring preload	Ff: 1960 N (for n_{max})

Geometrical Data

Bore diameter	d: 65 mm	Oiling nozzle position	d_T : 79.9 mm
Outer diameter	D: 100 mm	Pitch circle diameter	d_m : 82.5 mm
Width of single bearing	B: 18 mm	Inner diameter of outer ring	D_1 : 88.2 mm
Ball diameter	D_w : 9.525 mm	Undercut of associated component	$r_{a \max}$: 1 mm
Number of balls	Z: 23	Undercut of associated component (open side)	$r_{b \max}$: 1 mm
Chamfer (min)	$r_{1,2 \min}$: 1.1 mm	Abutment diameter inner ring	$d_{a,b \min}$: 71.3 mm
Chamfer (min), open side	$r_{3,4 \min}$: 1 mm	Abutment diameter outer ring	$D_{a,b \max}$: 94.5 mm
Outer diameter of inner ring	d_1 : 76.9 mm	Inner diameter of outer ring (open side)	D_2 : 92.1 mm
Outer diameter of inner ring (open side)	d_2 : -	Bearing weight	m: 0.445 kg
		Contact angle	Alpha 0: 15°



The given speed limits apply to individual bearings with spring preload. Correction factors must be considered for all properties which deviate from this.