

# Spindle ball bearing SM 61916 C TA P4+

16.07.2024



## Components

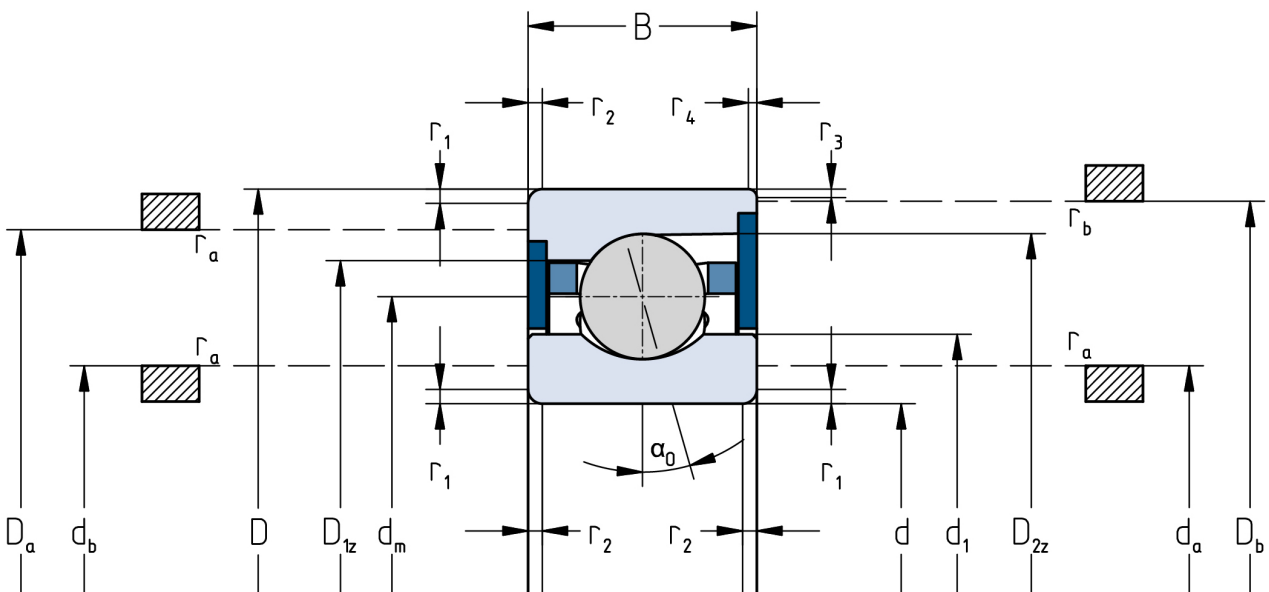
Bearing designation:	SM 61916 C TA
Bearing design:	SM
Series / size:	61916
Ball material:	Steel 100Cr6
Cage:	TA
Seal:	2RZ upon request
Precision:	P4+
Main dimensions [d x D x B]:	80 x 110 x 16 mm

## Load data

Static load capacity	$C_{0r}$ : 20300 N
Dynamic load capacity	$C_r$ : 25500 N
Fatigue load limit	$C_U$ : 1056 N
Speed limit	$n_{grease}$ : 15750 1/min
Speed limit	$n_{oil}$ : 21000 1/min
Light preload	L: 130 N
Axial rigidity	$C_{ax}$ : 88 N/ $\mu$ m
Medium preload	M: 390 N
Axial rigidity	$C_{ax}$ : 132 N/ $\mu$ m
Heavy preload	S: 780 N
Axial rigidity	$C_{ax}$ : 174 N/ $\mu$ m
Spring preload	Ff: 1480 N (for $n_{max}$ )

## Geometrical Data

Bore diameter	d: 80 mm	Oiling nozzle position	$d_f$ : 92.3 mm
Outer diameter	D: 110 mm	Pitch circle diameter	$d_m$ : 95 mm
Width of single bearing	B: 16 mm	Inner diameter of outer ring	$D_1$ : 100.8 mm
Ball diameter	$D_w$ : 9.525 mm	Undercut of associated component	$r_{a max}$ : 0.6 mm
Number of balls	Z: 25	Undercut of associated component (open side)	$r_{b max}$ : 0.3 mm
Chamfer (min)	$r_{1,2 min}$ : 0.6 mm	Abutment diameter inner ring	$d_{a,b min}$ : 84.9 mm
Chamfer (min), open side	$r_{3,4 min}$ : 0.3 mm	Abutment diameter outer ring	$D_{a,b max}$ : 105.7 mm
Outer diameter of inner ring	$d_1$ : 89.4 mm	Inner diameter of outer ring (open side)	$D_2$ : 104.6 mm
Outer diameter of inner ring (open side)	$d_2$ : -	Bearing weight	m: 0.365 kg
		Contact angle	Alpha 0: 19°



The given speed limits apply to individual bearings with spring preload. Correction factors must be considered for all properties which deviate from this.