

Spindle ball bearing HY S 6019 E TA P4+

16.07.2024



Components

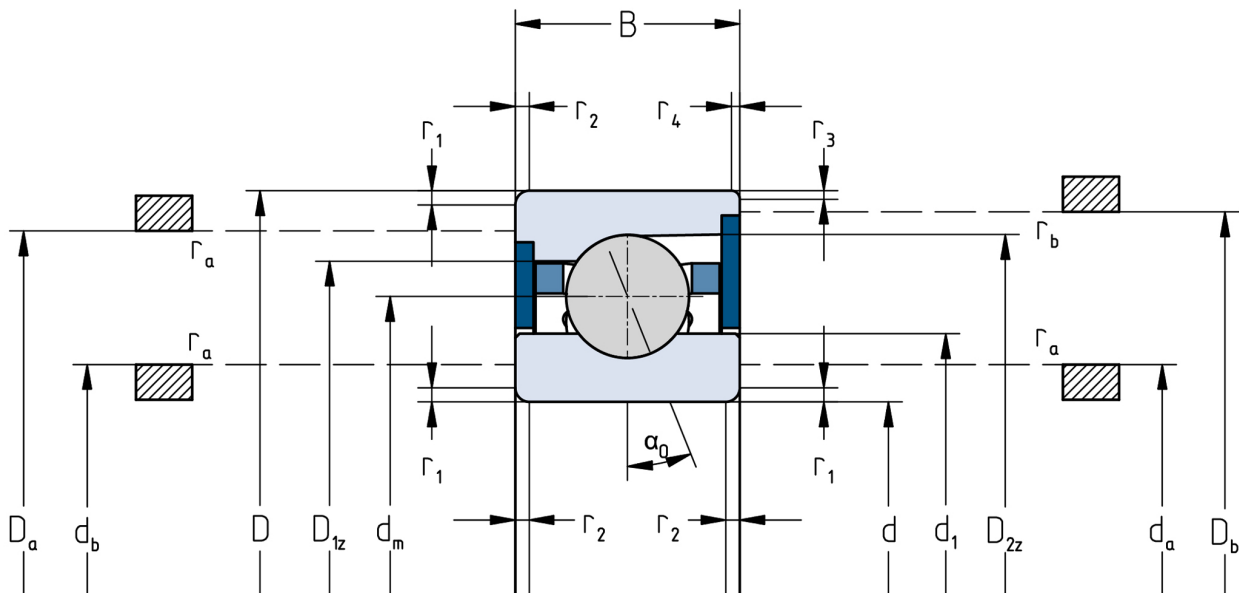
Bearing designation:	HY S 6019 E TA
Bearing design:	S
Series / size:	6019
Ball material:	Ceramic
Cage:	TA
Seal:	2RZ upon request
Precision:	P4+
Main dimensions [d x D x B]:	95 x 145 x 24 mm

Load data

Static load capacity	C_{0r} : 72000 N
Dynamic load capacity	C_r : 72000 N
Fatigue load limit	C_U : 2480 N
Speed limit	n_{grease} : 11250 1/min
Speed limit	n_{oil} : 15000 1/min
Light preload	L: 610 N
Axial rigidity	C_{ax} : 298 N/ μ m
Medium preload	M: 1830 N
Axial rigidity	C_{ax} : 451 N/ μ m
Heavy preload	S: 3660 N
Axial rigidity	C_{ax} : 596 N/ μ m
Spring preload	Ff: 4700 N (for n_{max})

Geometrical Data

Bore diameter	d: 95 mm	Oiling nozzle position	d_f : 115.6 mm
Outer diameter	D: 145 mm	Pitch circle diameter	d_m : 120 mm
Width of single bearing	B: 24 mm	Inner diameter of outer ring	D_1 : 129.2 mm
Ball diameter	D_w : 15.081 mm	Undercut of associated component	$r_{a \max}$: 1.5 mm
Number of balls	Z: 21	Undercut of associated component (open side)	$r_{b \max}$: 0.6 mm
Chamfer (min)	$r_{1,2 \min}$: 1.5 mm	Abutment diameter inner ring	$d_{a,b \min}$: 103.9 mm
Chamfer (min), open side	$r_{3,4 \min}$: 0.6 mm	Abutment diameter outer ring	$D_{a,b \max}$: 137.5 mm
Outer diameter of inner ring	d_1 : 110.8 mm	Inner diameter of outer ring (open side)	D_2 : 135.3 mm
Outer diameter of inner ring (open side)	d_2 : -	Bearing weight	m: 1 kg
		Contact angle	Alpha 0: 25°



The given speed limits apply to individual bearings with spring preload. Correction factors must be considered for all properties which deviate from this.