

Spindle ball bearing HY S 6014 E TXM P4+

16.07.2024



Components

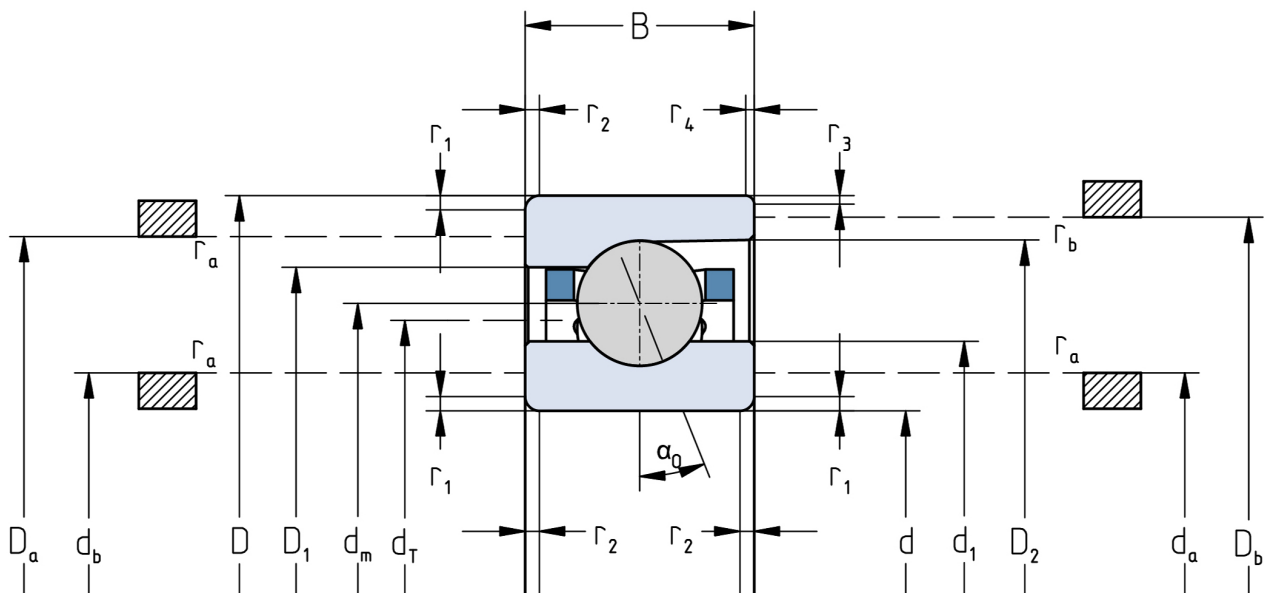
Bearing designation:	HY S 6014 E TXM
Bearing design:	S
Series / size:	6014
Ball material:	Ceramic
Cage:	TXM
Precision:	P4+ (UP+ Upon request)
Main dimensions [d x D x B]:	70 x 110 x 20 mm

Load data

Static load capacity	C_{0r} : 42000 N
Dynamic load capacity	C_r : 46000 N
Fatigue load limit	C_U : 1589 N
Speed limit	n_{grease} : 15000 1/min
Speed limit	n_{oil} : 20000 1/min
Light preload	L: 400 N
Axial rigidity	C_{ax} : 234 N/ μ m
Medium preload	M: 1200 N
Axial rigidity	C_{ax} : 353 N/ μ m
Heavy preload	S: 2400 N
Axial rigidity	C_{ax} : 466 N/ μ m
Spring preload	Ff: 3010 N (for n_{max})

Geometrical Data

Bore diameter	d: 70 mm	Oiling nozzle position	d_T : 86.6 mm
Outer diameter	D: 110 mm	Pitch circle diameter	d_m : 90 mm
Width of single bearing	B: 20 mm	Inner diameter of outer ring	D_1 : 97.4 mm
Ball diameter	D_w : 11.906 mm	Undercut of associated component	$r_{a max}$: 1 mm
Number of balls	Z: 21	Undercut of associated component (open side)	$r_{b max}$: 1 mm
Chamfer (min)	$r_{1,2 min}$: 1.1 mm	Abutment diameter inner ring	$d_{a,b min}$: 77.3 mm
Chamfer (min), open side	$r_{3,4 min}$: 1 mm	Abutment diameter outer ring	$D_{a,b max}$: 103.9 mm
Outer diameter of inner ring	d_1 : 82.6 mm	Inner diameter of outer ring (open side)	D_2 : 102 mm
Outer diameter of inner ring (open side)	d_2 : -	Bearing weight	m: 0.51 kg
		Contact angle	Alpha 0: 25°



The given speed limits apply to individual bearings with spring preload. Correction factors must be considered for all properties which deviate from this.