

Spindle ball bearing KH 6007 E TA P4+

16.07.2024



Components

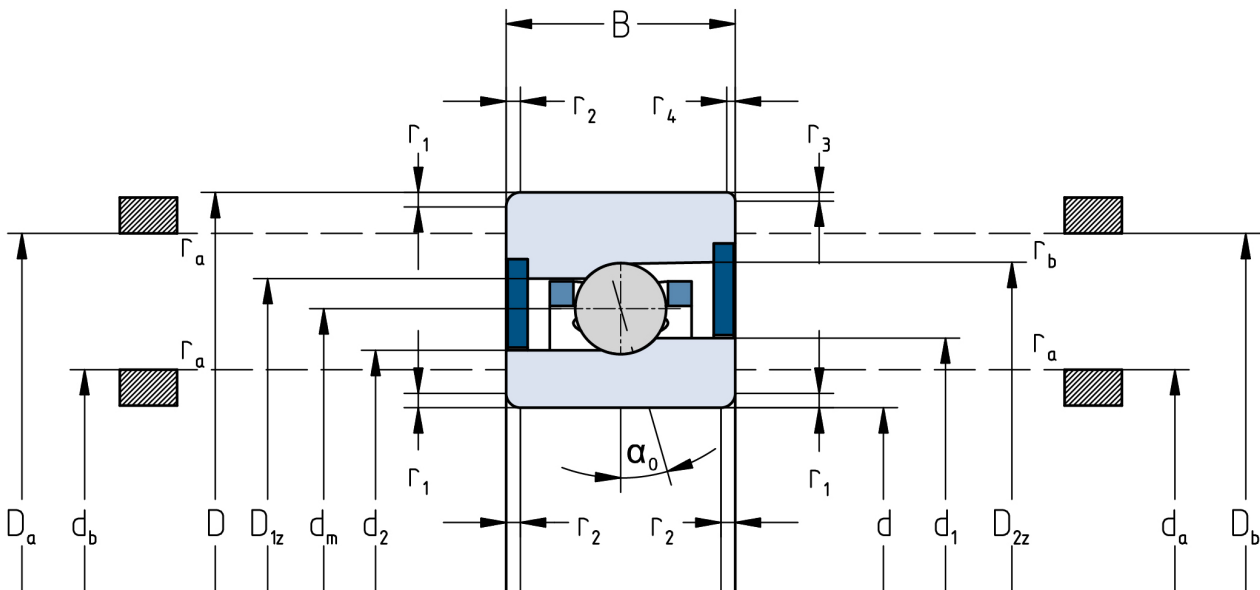
Bearing designation:	KH 6007 E TA
Bearing design:	KH
Series / size:	6007
Ball material:	Steel 100Cr6
Cage:	TA
Seal:	2RZ optional (with grease)
Precision:	P4+
Main dimensions [d x D x B]:	35 x 62 x 14 mm

Load data

Static load capacity	C_{0r} : 5950 N
Dynamic load capacity	C_r : 10000 N
Fatigue load limit	C_U : 308 N
Speed limit	n_{grease} : 30000 1/min
Speed limit	n_{oil} : 40000 1/min
Light preload	L: 80 N
Axial rigidity	C_{ax} : 83 N/ μ m
Medium preload	M: 250 N
Axial rigidity	C_{ax} : 125 N/ μ m
Heavy preload	S: 500 N
Axial rigidity	C_{ax} : 162 N/ μ m
Spring preload	Ff: 580 N (for n_{max})

Geometrical Data

Bore diameter	d: 35 mm	Oiling nozzle position	d_7 : 45.5 mm
Outer diameter	D: 62 mm	Pitch circle diameter	d_m : 47.3 mm
Width of single bearing	B: 14 mm	Inner diameter of outer ring	D_1 : 51.5 mm
Ball diameter	D_w : 6.35 mm	Undercut of associated component	$r_{a \max}$: 1 mm
Number of balls	Z: 20	Undercut of associated component (open side)	$r_{b \max}$: 0.6 mm
Chamfer (min)	$r_{1,2 \min}$: 1 mm	Abutment diameter inner ring	$d_{a,b \min}$: 39.7 mm
Chamfer (min), open side	$r_{3,4 \min}$: 0.6 mm	Abutment diameter outer ring	$D_{a,b \max}$: 58 mm
Outer diameter of inner ring	d_1 : 43.2 mm	Inner diameter of outer ring (open side)	D_2 : 53.8 mm
Outer diameter of inner ring (open side)	d_2 : 41.5 mm	Bearing weight	m: 0.155 kg
		Contact angle	Alpha 0: 25°



The given speed limits apply to individual bearings with spring preload. Correction factors must be considered for all properties which deviate from this.