

Spindle ball bearing HY SM 61910 C TXM P4+ 16.07.2024



Components

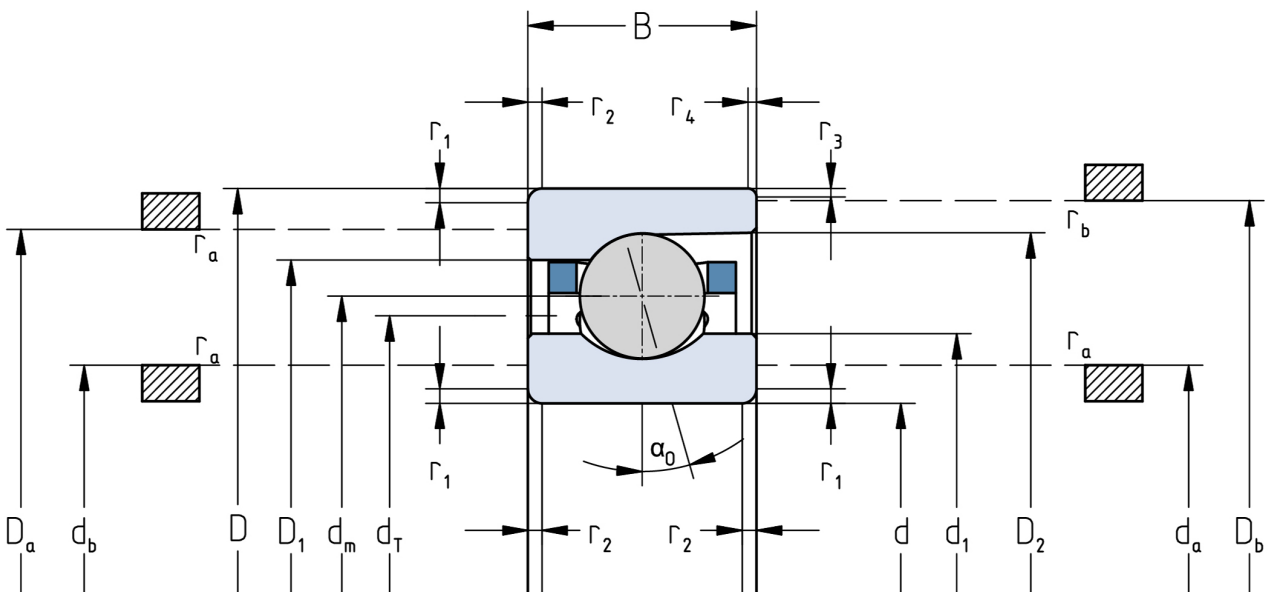
Bearing designation:	HY SM 61910 C TXM
Bearing design:	SM
Series / size:	61910
Ball material:	Ceramic
Cage:	TXM
Precision:	P4+
Main dimensions [d x D x B]:	50 x 72 x 12 mm

Load data

Static load capacity	C_{0r} : 6950 N
Dynamic load capacity	C_r : 10900 N
Fatigue load limit	C_U : 264 N
Speed limit	n_{grease} : 30750 1/min
Speed limit	n_{oil} : 41000 1/min
Light preload	L: 55 N
Axial rigidity	C_{ax} : 48 N/ μ m
Medium preload	M: 170 N
Axial rigidity	C_{ax} : 73 N/ μ m
Heavy preload	S: 330 N
Axial rigidity	C_{ax} : 96 N/ μ m
Spring preload	Ff: 330 N (for n_{max})

Geometrical Data

Bore diameter	d: 50 mm	Oiling nozzle position	d_T : 58.9 mm
Outer diameter	D: 72 mm	Pitch circle diameter	d_m : 61 mm
Width of single bearing	B: 12 mm	Inner diameter of outer ring	D_1 : 65.2 mm
Ball diameter	D_w : 6.35 mm	Undercut of associated component	$r_{a max}$: 0.6 mm
Number of balls	Z: 21	Undercut of associated component (open side)	$r_{b max}$: 0.3 mm
Chamfer (min)	$r_{1,2 min}$: 0.6 mm	Abutment diameter inner ring	$d_{a,b min}$: 53.7 mm
Chamfer (min), open side	$r_{3,4 min}$: 0.3 mm	Abutment diameter outer ring	$D_{a,b max}$: 68.8 mm
Outer diameter of inner ring	d_1 : 56.8 mm	Inner diameter of outer ring (open side)	D_2 : 67.4 mm
Outer diameter of inner ring (open side)	d_2 : -	Bearing weight	m: 0.11 kg
		Contact angle	Alpha 0: 17°



The given speed limits apply to individual bearings with spring preload. Correction factors must be considered for all properties which deviate from this.